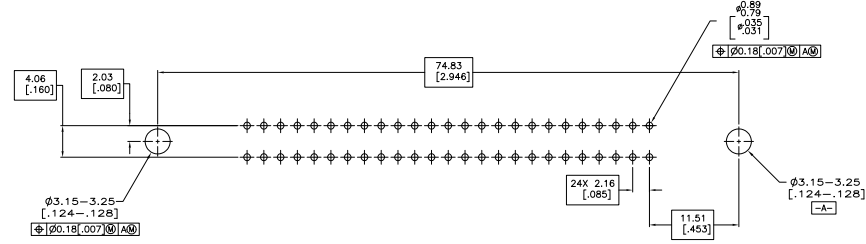
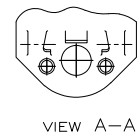
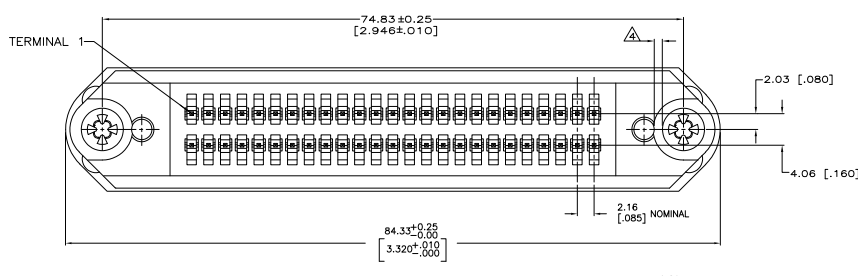
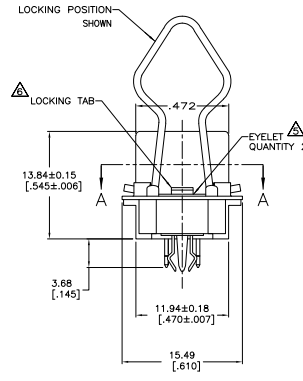
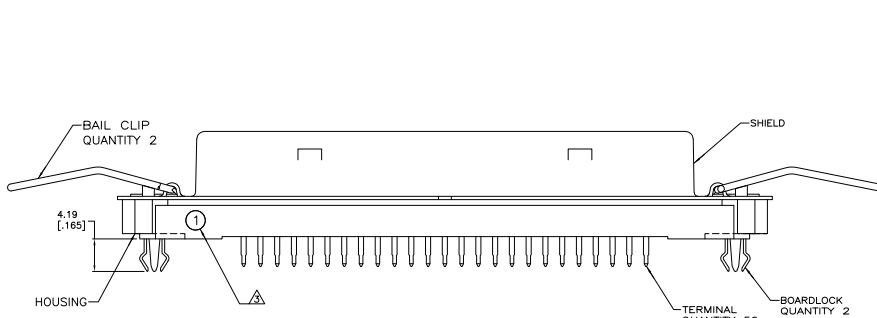


REV	DATE	DESCRIPTION	BY	CHK	APP
GP 00		RELEASED PER EC 0513-0575-04			

- △ MATERIAL: POLYESTER, BLACK.
 HOUSING: COPPER ALLOY PLATED WITH 0.76μm[.000030]
 TERMINAL: COPPER ALLOY PLATED WITH 0.76μm[.000030]
 MINIMUM GOLD ON MATING SURFACE AND 3.81μm[.000150]
 MINIMUM TIN ON SOLDER PIN AREA OVER 1.27μm
 [.000050] MINIMUM NICKEL UNDERPLATE OVER ENTIRE
 TERMINAL.
 SHIELD: CARBON STEEL, PLATED BRIGHT NICKEL 2.54μm
 [.000100] MINIMUM.
 BAIL CLIP: PASSIVATED STAINLESS STEEL.
 BOARDLOCK: COPPER ALLOY WITH 5.08μm[.000200]
 MINIMUM TIN OVER 1.27μm[.000050] MINIMUM NICKEL
 UNDERPLATE.
 EYELET: BRASS WITH 1.02μm[.000040] MINIMUM STANNATE
 TIN ELECTROPLATE.
- THE CONTACT SURFACES OF THE TERMINALS ARE
 COATED WITH LUBRICANT.
 - *1" ON THE HOUSING INDICATES LOCATION OF TERMINAL 1.
 - .04 INCH MINIMUM BETWEEN EYELET HEAD AND .10 DIAMETER
 HOLE IN HOUSING, 2 PLACES.
 - EYELET SHALL PROVIDE A CONTINUOUS AND RELIABLE GROUND
 PATH THROUGH THE BOARDLOCK.
 - LOCKING TAB RETAINS ENDS OF BAILS IN SHIELD LOCATIONS.



PRINTED CIRCUIT BOARD MOUNTING DIMENSIONS

5406874-1
PART NUMBER

THIS DRAWING IS A CONTROLLED DOCUMENT.		REV		DATE		DESCRIPTION	
REV	DATE	DESCRIPTION	BY	CHK	APP		
1		RECEIPTABLE ASSEMBLY, 50 POSITION, BOARDLOCK, SHIELDED, LOW PROFILE, VERTICAL MOUNTING WITH LOCKING TAB					
CUSTOMER DRAWING		DATE	ISSUE	ISSUE NO	REV	REV	REV
		A1	00779	Q=5406874			
SCALE: 2:1		SHEET: 1 OF 1		JOB NO: 5406874			