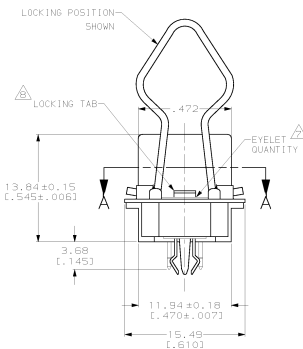
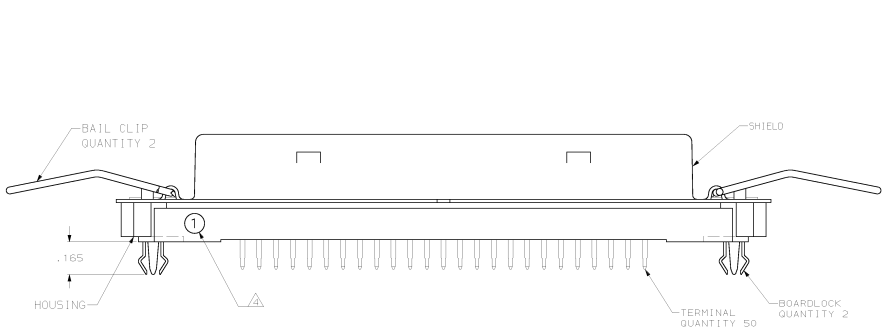
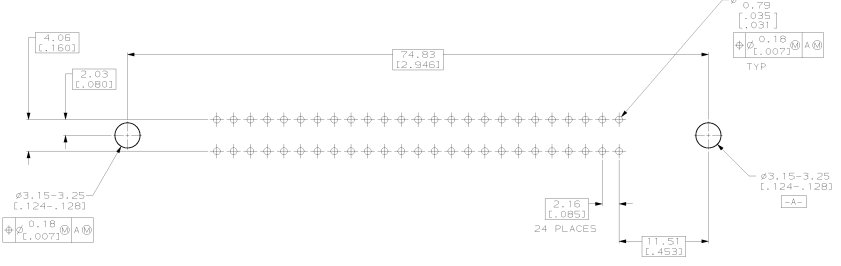
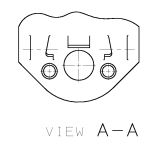
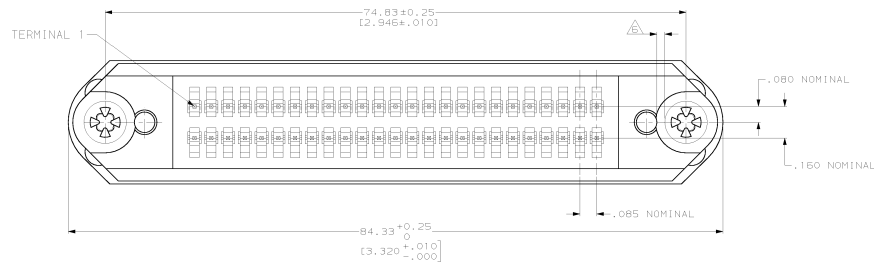


REV	DATE	DESCRIPTION	BY	CHK	APP
AA	20	REVISED: EC (X10-0012-99)			186699/DLO/EM



- △ MATERIAL: HOUSING - POLYESTER, BLACK. TERMINAL - COPPER ALLOY PLATED WITH 0.76µm [L.000300] MINIMUM GOLD ON MATING SURFACE AND 3.81µm [L.001500] MINIMUM MATTE TIN-LEAD SOLDER PIN AREA OVER 1.27µm [L.000500] MINIMUM NICKEL UNDERPLATE OVER ENTIRE TERMINAL. SHIELD - CARBON STEEL, PLATED BRIGHT NICKEL 2.54µm [L.001000] MINIMUM. BAIL CLIP - PASSIVATED STAINLESS STEEL. BOARDLOCK - COPPER ALLOY WITH 5.08µm [L.000200] MINIMUM TIN-LEAD OVER 1.27µm [L.000500] MINIMUM NICKEL UNDERPLATE. EYELET - BRASS WITH 1.02µm [L.000400] MINIMUM STANNATE TIN ELECTROPLATE.
- △ TOLERANCES ARE: ±0.13 [L.005] UNLESS OTHERWISE SPECIFIED.
- 3. THE CONTACT SURFACES OF THE TERMINALS ARE COATED WITH LUBRICANT.
- △ "1" ON HOUSING INDICATES LOCATION OF TERMINAL 1.
- △ .04 INCH MINIMUM BETWEEN EYELET HEAD AND .10 DIAMETER HOLE IN HOUSING, 2 PLACES.
- △ EYELET SHALL PROVIDE A CONTINUOUS AND RELIABLE GROUND PATH THROUGH THE BOARDLOCK.
- △ LOCKING TAB RETAINS ENDS OF BAILS IN SHIELD LOCATORS.



PRINTED CIRCUIT BOARD MOUNTING DIMENSIONS

THIS DRAWING IS A CONTROLLED DOCUMENT.		DATE: 12/05/83	REV: 20	REVISED: EC (X10-0012-99)	BY: J. J. HARRIS	CHK: J. J. HARRIS	APP: J. J. HARRIS	186699/DLO/EM
DRAWING: AMP INCORPORATED		PART NUMBER: 406874-1		RECEPTACLE ASSEMBLY, 50 POSITION, BOARDLOCK, SHIELDED, LOW PROFILE, VERTICAL MOUNTING, WITH LOCKING TAB				
MATERIAL: PWB		REV: 20		DATE: 12/05/83		BY: J. J. HARRIS		186699/DLO/EM
CUSTOMER DRAWING: A1100779		PART NO: 406874		REV: 20				