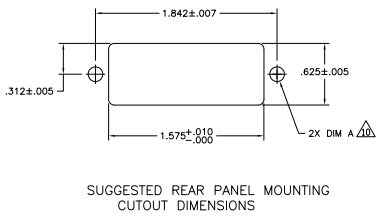
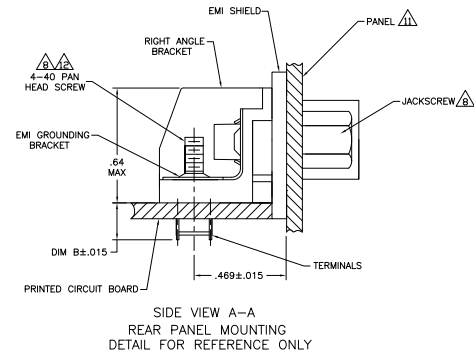
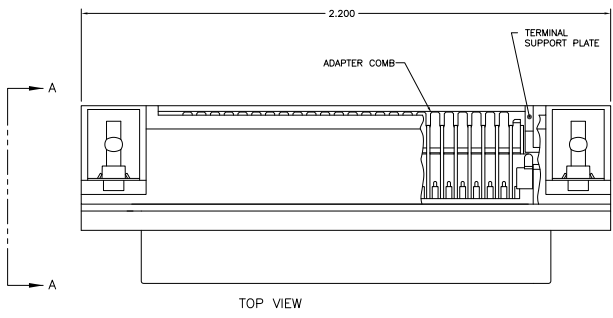


- △ MATERIAL:
 HOUSING, RIGHT ANGLE BRACKET, ADAPTER COMB & SUPPORT PLATE: THERMOPLASTIC, BLACK.
 EMI SHIELD: BRIGHT NICKEL OVER COPPER PLATED DIE CATING.
 TERMINALS: HIGH STRENGTH COPPER ALLOY PLATED WITH EITHER .00030 MIN GOLD PLATE OR GOLD FLASH OVER PALLADIUM NICKEL PLATE, .00030 MIN TOTAL ON MATING SURFACE. .00120 MIN TIN-LEAD PLATE ON TAILS. ALL OVER .000050 MIN NICKEL UNDERPLATE OVER ENTIRE TERMINAL.
 GROUND BRACKET: ZINC PLATED CARBON STEEL.
- 2. THE CONTACT SURFACES OF THE TERMINALS ARE COATED WITH LUBRICANT.
- 3. CENTER-TO-CENTER SPACING OF TERMINALS IS .085.
- △ ALL DIMENSIONS SHOWN ARE FOR REFERENCE ONLY UNLESS OTHERWISE SPECIFIED.
- △ DETAILS A & B ARE VIEWED FROM MATING SIDE OF RECEPTACLE ASSEMBLY.
- △ TERMINAL 1 LOCATED IN THIS ROW FOR STANDARD ORIENTATION.
- △ TERMINAL 1 LOCATED IN THIS ROW FOR REVERSE ORIENTATION.
- △ SCREWS SHOWN FOR REFERENCE ONLY. RECOMMENDED HARDWARE KIT, 554272-1, FOR USE WITH PART NUMBER 553811-3 &-4. HARDWARE KIT IS SHOWN FOR REFERENCE ONLY.
- 9. EMI SHIELD IS ASSEMBLED TO CONNECTOR BEFORE SHIPMENT.
- △ FOR IEEE APPLICATION DIM A SHALL BE .192±.003.
- △ PANEL THICKNESS RANGE: .062 MAX.
- △ STAINLESS STEEL SCREWS RECOMMENDED BECAUSE OF CONTACT WITH SOLDER BATH.
- △ HOLES TO BE TAPPED AFTER PLATING.
- △ OBSOLETE.



STANDARD	.157	.126±.003	4-40 UNC-2B	REVERSE	B	553811-4
STANDARD	.157	.126±.003	4-40 UNC-2B	STANDARD	A	553811-3
IEEE-488	.157	.152±.003	6-32 UNC-2B	REVERSE	B	553811-2
IEEE-488	.157	.152±.003	6-32 UNC-2B	STANDARD	A	553811-1
APPLICATION	BIM B	DIM A	SHIELD HOLE SIZE	ORIENTATION	DETAIL	PART NUMBER

THIS DRAWING IS A CONTROLLED DOCUMENT.

DATE	12/16/07
BY	SEAN
DATE	12/16/07
BY	MELISSA
DATE	12/16/07
BY	SEAN

ASSEMBLY, EMI RECEPTACLE, 24 POSITION, SCREW LOCK, W/ GROUNDING BRACKET, RIGHT ANGLE, CHAMP

DATE 08/08/08 DRAWING NO. 100779 REV 053811

CUSTOMER DRAWING