

4

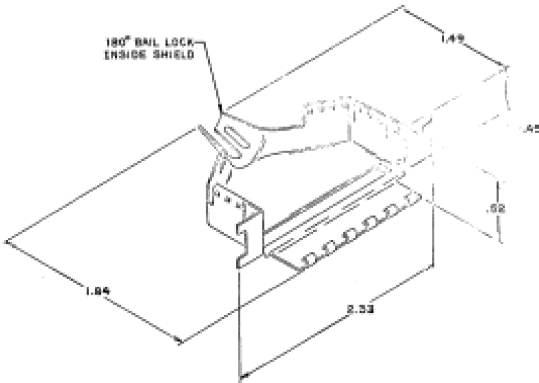
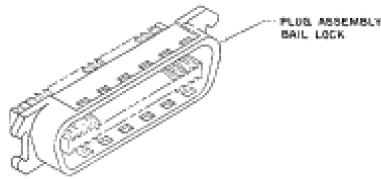
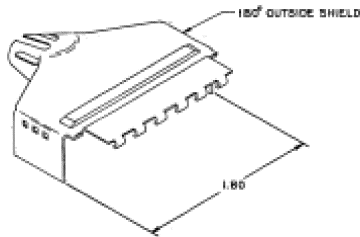
3

2

1

THIS DRAWING IS UNPUBLISHED. RELEASED FOR PUBLICATION
 © COPYRIGHT BY TYCO ELECTRONICS CORPORATION. ALL RIGHTS RESERVED.

LOC	DIST	REVISIONS					
GP	00	P	LTR	DESCRIPTION	DATE	BY	APPD
		E		REVISED PER ECO-08-007327	05SEP08	BM	WM



1. THIS KIT SHIPPED NOT ASSEMBLED.

⚠ MATERIAL:
 SHIELDS - BRIGHT NICKEL PLATED CARBON STEEL.
 PLUG HOUSING - POLYPHENYLENE OXIDE, BLACK
 TERMINALS - HIGH STRENGTH COPPER ALLOY PLATED WITH .000030 MIN GOLD OR GOLD FLASH OVER PALLADIUM NICKEL PLATE, .000030 MIN TOTAL ON MATING SURFACE. .000050 MIN NICKEL UNDERPLATE OVER ENTIRE TERMINAL.

⚠ WIRE SIZE: 24 & 26 AWG SOLID OR 24 AWG 7 STRANDS OF COPPER CONDUCTOR. MAX INSULATION DIA OF .045 IS ACCEPTABLE FOR MOST APPLICATIONS.

4. CABLE RANGE: .250-.500 DIAMETER.

5. CENTER TO CENTER SPACING OF TERMINALS IS .085 NOMINAL.

⚠ WIRE SIZE: 26-27-28 AWG 7 STRANDS OF COPPER CONDUCTORS. MAX INSULATION DIAMETER OF .045 IS ACCEPTABLE FOR MOST APPLICATIONS.

7. ALL DIMENSIONS SHOWN ARE MAX UNLESS OTHERWISE SPECIFIED.

8. CORING IS AN OPTIONAL CONFIGURATION AND IS AT THE DISCRETION OF TYCO ELECTRONICS.

OBSOLETE	BULK	B	⚠	5-554950-2
OBSOLETE	PACKED	E	⚠	5-554950-1
OBSOLETE	POLY BAG	B	⚠	554950-2
		E	⚠	554950-1
	PACKAGED			SLOT WIRE SIZE PART NO

THIS DRAWING IS A CONTROLLED DOCUMENT.		DATE	4-2-06	Tyco Electronics Corporation	
DIN		L. CANTY	3-19-06	Harrisburg, PA 17105-3608	
OK		S. FOX		Tyco Electronics	
DIMENSIONS:		PRODUCT SPEC		PLUG KIT, 36 POSITION	
INCHES		APPLICATION SPEC		BAIL LOCK, SHIELDED CHAMP	
OTHER DIMENSIONS:		WEIGHT		SIZE	CAGE CODE
0 PLC				A2	00779
1 PLC				C	554950
2 PLC					
3 PLC					
4 PLC					
ANGLES					
FINISH					
MATERIAL					
FINISH					
		CUSTOMER DRAWING		SCALE	NTS
				SHEET	1 of 1
				REV	E

AMP 1471-9 REV 31MM2000

554950

B

A