

4

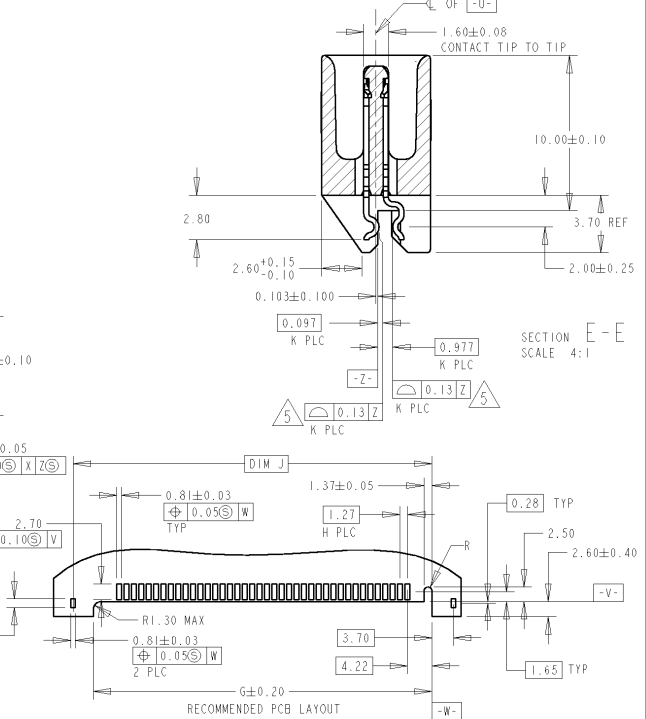
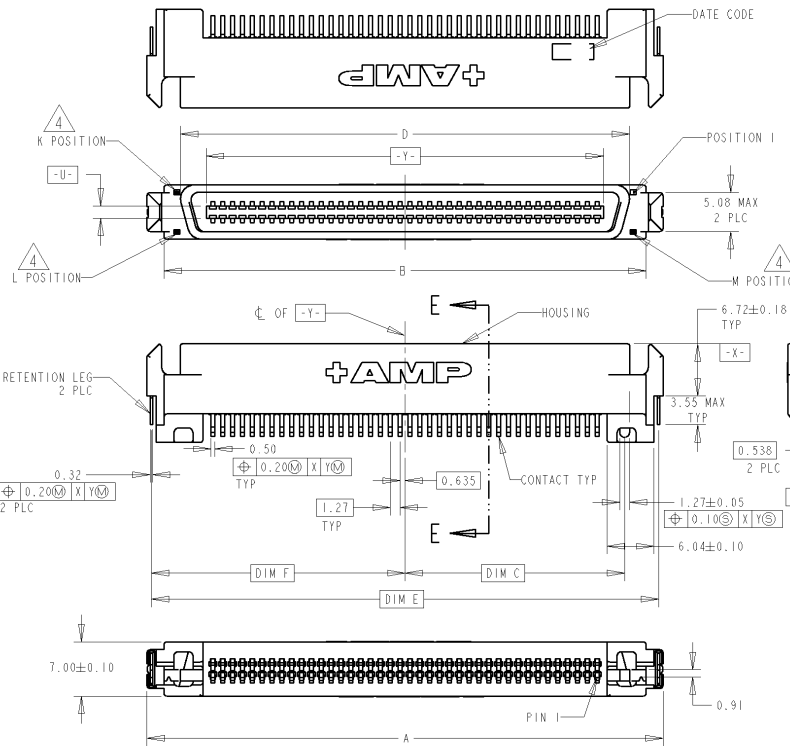
3

2

1

THIS DRAWING IS UNPUBLISHED. RELEASED FOR PUBLICATION .19
 © COPYRIGHT 19 BY AMP INCORPORATED. ALL RIGHTS RESERVED.

LOC	DIST	REVISIONS			
F	LTR	DESCRIPTION	DATE	OWN	APVD
0	NPR	FP00-0020-05	19JAN05	LWY	VT



- 1 HOUSING: HIGH TEMPERATURE THERMOPLASTIC, UL 94V-0 RATED, BLACK
CONTACTS: COPPER ALLOY
RETENTION LEGS: COPPER ALLOY
- 2 0.76um MIN GOLD FOR A LENGTH 2.00 STARTING
1.00 MAX FROM MATING END, 3.81um MIN
TIN FOR A LENGTH OF 3.43 MIN FROM
OPPOSITE END, BOTH OVER 1.27um MIN NICKEL
- 3. RECOMMENDED PCB THICKNESS: 1.14±0.10mm
- 4 K, L AND M INDICATES NUMBER OF TERMINAL POSITIONS.
- 5 TOLERANCE APPLIES AT CONTACT MATING SURFACE.

TRAY	21	40	20	36.27	19	32.77	19.98	39.96	32.47	15.60	36.75	41.10	40	5084810-2
TRAY	41	80	40	61.67	39	58.17	32.68	65.36	57.87	28.30	62.15	66.50	80	5084810-1
PACKAGING	M	L	K	J	H	G	F	E	D	C	B	A	POS.	PART NO.

<small>THIS DRAWING IS A CONTROLLED DOCUMENT FOR AMP INCORPORATED IT IS SUBJECT TO CHANGE AND THE ORIGINAL DRAWING OR ORGANIZATION SHOULD BE CONTACTED FOR THE LATEST REVISION.</small>		DWN WYLEE 19JAN05	Tyco Electronics Singapore Pte. Ltd.
DIMENSIONS: mm		CRD VINCENT TAN	
TOLERANCES UNLESS OTHERWISE SPECIFIED: 0 PLC ± 1 PLC ± 2 PLC ±0.15 3 PLC ± 4 PLC ± ANGLES ±°		APVD SE LEONG	NAME PLUG ASSY, STRADDLE MOUNT, OFFSET CHAMP BLINDMATE .050 SERIES 1
MATERIAL FINISH		PRODUCT SPEC 108-1548	
1		APPLICATION SPEC 114-6061	SIZE A3
2		WEIGHT -	CAGE CODE 00779
CUSTOMER DRAWING		DRAWING NO 5084810	SCALE 2:1
		SHEET 1	OF 1
		REV 0	

AMP 1470-19 REV 09MAY94

PROF/ENGINEER DRAWING