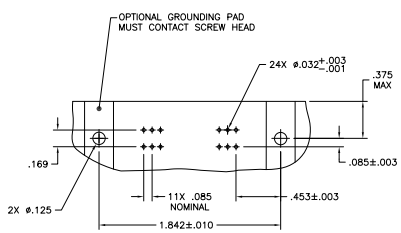
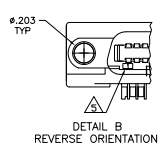


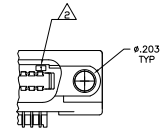
REV	DATE	DESCRIPTION	BY	CHKD	APP'D
GP 00					
B		REVISED FOR ECO-08-007327			



SUGGESTED PRINTED CIRCUIT BOARD MOUNTING DIMENSIONS



DETAIL B
REVERSE ORIENTATION



DETAIL A
STANDARD ORIENTATION

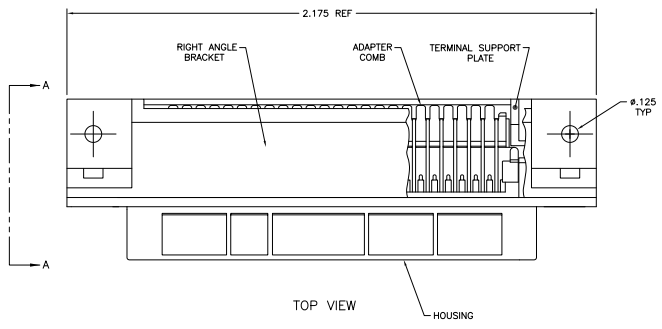
△ MATERIAL:
 HOUSING, RIGHT ANGLE BRACKET, ADAPTER COMB & SUPPORT PLATE - THERMOPLASTIC, BLACK.
 TERMINALS - HIGH STRENGTH COPPER ALLOY PLATED WITH EITHER .000030 MIN GOLD PLATE OR GOLD FLASH OVER PALLADIUM NICKEL PLATE. .000030 MIN TOTAL ON MATING SURFACE. .000120 MIN TIN PLATE ON TAILS. ALL OVER .000050 MIN NICKEL UNDERPLATE OVER ENTIRE TERMINAL.

△ TERMINAL 1 IS LOCATED IN THIS ROW FOR STANDARD ORIENTATION, SEE DETAIL A.

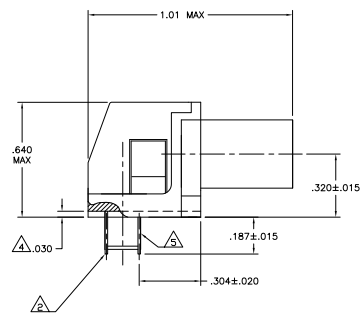
△ PANEL THICKNESS RANGE: .125 MAX.

△ SUPPORT PLATE CLEARANCE FOR TERMINAL STRAIN RELIEF AND FLUX REMOVAL.

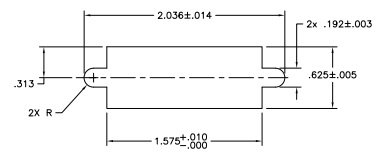
△ TERMINAL 1 IS LOCATED IN THIS ROW FOR REVERSE ORIENTATION, SEE DETAIL B.



TOP VIEW



SIDE VIEW A-A



PANEL CUTOUT DIMENSIONS FOR REAR PANEL MOUNTING FOR METRIC HARDWARE

SEE DETAIL B	5553121-2
SEE DETAIL A	5553121-1
DESCRIPTION	PART NUMBER

THIS DRAWING IS A CONTROLLED DOCUMENT.		REV	DATE	BY	CHKD	APP'D
DESIGNER	ENGINEER	DR	DATE	BY	CHKD	APP'D
DR	DATE	BY	CHKD	APP'D	CUSTOMER DRAWING	
CUSTOMER DRAWING		SIZE	DATE	ISSUE	REV	REV
CUSTOMER DRAWING		A1	00779	0	1	1
CUSTOMER DRAWING		SCALE	2:1	HEET	1	OF
CUSTOMER DRAWING		OF	1	OF	1	OF

Tyco Electronics Corporation
 Harrisburg, PA 17105-3608

ASSEMBLY, EM, RECEPTACLE
 24 POSITION, RIGHT ANGLE

5553121