

4

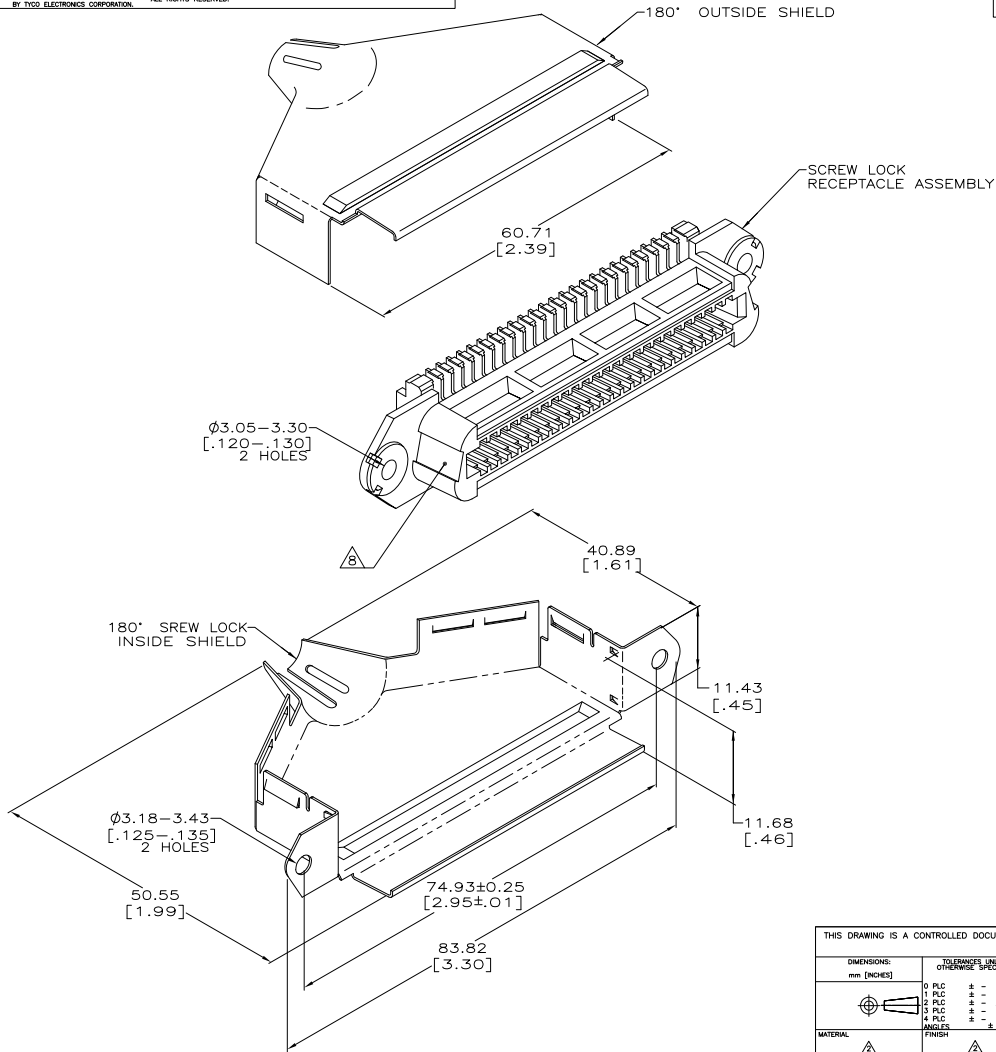
3

2

1

THIS DRAWING IS UNPUBLISHED. RELEASED FOR PUBLICATION.
 © COPYRIGHT BY TYCO ELECTRONICS CORPORATION. ALL RIGHTS RESERVED.

LOC	DIST	REVISIONS					
GP	00	F	LNK	DESCRIPTION	DATE	BY	APPD
		F		REVISED PER ECO-08-007327	05SEP08	BM	WM



1. THIS KIT SHIPPED NOT ASSEMBLED.

⚠ MATERIAL: SHIELDS - BRIGHT NICKEL PLATED CARBON STEEL.
 PLUG HOUSING - POLYPHENYLENE OXIDE, BLACK.
 TERMINAL - HIGH STRENGTH COPPER ALLOY PLATED WITH 0.76 μ m [.000030] MIN GOLD OR GOLD FLASH OVER PALLADIUM NICKEL PLATE, 0.76 μ m [.000030] MIN TOTAL ON MATING SURFACE. 1.27 μ m [.000050] MIN NICKEL UNDERPLATE OVER ENTIRE TERMINAL.

⚠ WIRE SIZE: 26-27-28 AWG 7 STRANDS OF COPPER CONDUCTORS. MAXIMUM INSULATION DIAMETER OF 1.14 [.045] IS ACCEPTABLE FOR MOST APPLICATIONS.

4. CABLE RANGE: \varnothing 8.89-15.88 [.350-.625].

5. CENTER-TO-CENTER SPACING OF TERMINALS 2.16 [.085] NOMINAL.

⚠ WIRE SIZE: 24 OR 26 AWG SOLID OR 24 AWG 7 STRANDS OF COPPER CONDUCTORS. MAXIMUM INSULATION DIAMETER OF 1.14 [.045] IS ACCEPTABLE FOR MOST APPLICATIONS.

⚠ DIMENSIONS ARE MAXIMUM UNLESS OTHERWISE SPECIFIED.

⚠ CORING IS AN OPTIONAL CONFIGURATION AND IS AT THE DISCRETION OF AMP INCORPORATED.

⚠ PACKAGED 1 KIT PER POLYBAG.

⚠	B	⚠	554955-2
⚠	E	⚠	554955-1
PACKAGED	SLOT SIZE	WIRE SIZE	PART NUMBER

DIMENSIONS		TOLERANCES UNLESS OTHERWISE SPECIFIED		TYPICAL VALUES		TYPICAL VALUES	
mm	[INCHES]	PLC	FINISH	DATE	BY	DATE	BY
0	PLC	*	---	28-MAR-08	T. CANTY	15-MAY-08	D. FOX
1	PLC	*	---	27-MAY-08	B. HUTCHENS		
2	PLC	*	---				
3	PLC	*	---				
4	PLC	*	---				
	ANGLES	*	---				
	FINISH	*	---				

THIS DRAWING IS A CONTROLLED DOCUMENT.		Tyco Electronics Corporation	
SIZE	CAGE CODE	DRAWING NO.	RESTRICTED TO
A2	00779	C-554955	---
CUSTOMER DRAWING		SCALE	2:1
		SHEET	1 of 1
		REV	F

AMP 1471-9 REV 31MMR2000

554955

A