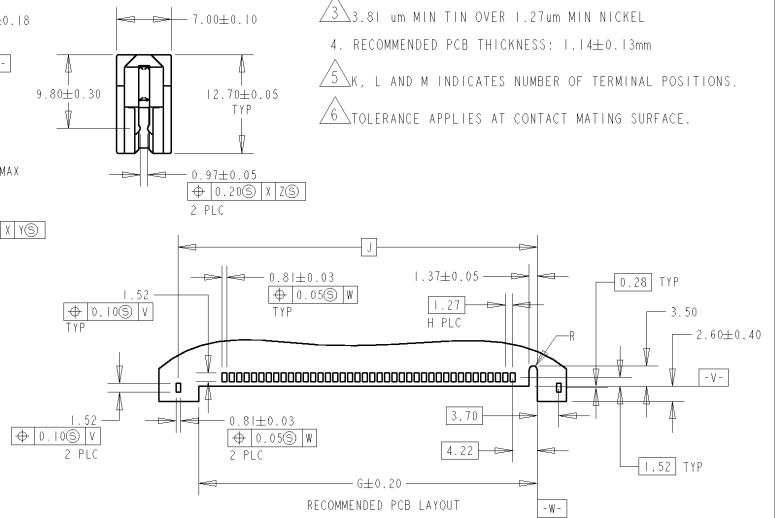


LOC	DIST	REVISIONS					
DY	-	F	LTR	DESCRIPTION	DATE	OWN	APVD
		0	NPR	FP00-0020-05	19JAN05	LWY	VT

- 1 HOUSING: LCP, UL 94V-0 RATED, BLACK
CONTACTS: PHOSPHOR BRONZE
RETENTION LEGS: BRASS
- 2 0.76um MIN GOLD FOR A LENGTH 2.00 STARTING
1.00 MAX FROM MATING END, 3.81um MIN
TIN FOR A LENGTH OF 3.43 MIN FROM
OPPOSITE END, BOTH OVER 1.27um MIN NICKEL
- 3 3.81 um MIN TIN OVER 1.27um MIN NICKEL
4. RECOMMENDED PCB THICKNESS: 1.14±0.13mm
- 5 K, L AND M INDICATES NUMBER OF TERMINAL POSITIONS.
- 6 TOLERANCE APPLIES AT CONTACT MATING SURFACE.



DIMENSIONS: mm		TOLERANCES UNLESS OTHERWISE SPECIFIED: 0 PLC ± 1 PLC ±0.15 2 PLC ±0.15 3 PLC ±0.15 4 PLC ± ANGLES ±1°		DWG WYLEE CRK VINCENT TAN APVD SE LIONG PRODUCT SPEC 108-1548 APPLICATION SPEC 114-6061 WEIGHT - MATERIAL 1 FINISH 2 3	19JAN05 tyco Electronics Tyco Electronics Singapore Pte. Ltd. NAME VINCENT TAN PLUG ASSY, STRADDLE MOUNT, CHAMP BLINDMATE .50 SERIES I SIZE A3 CAGE CODE 00779 DRAWING NO C-5084487 SCALE 2:1 SHEET 1 OF 1 REV 0
-------------------	--	---	--	---	---

AMP 1470-19 REV 09MAY94
PROJENGR DRWING