

4

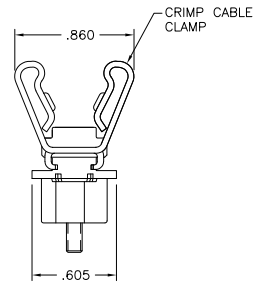
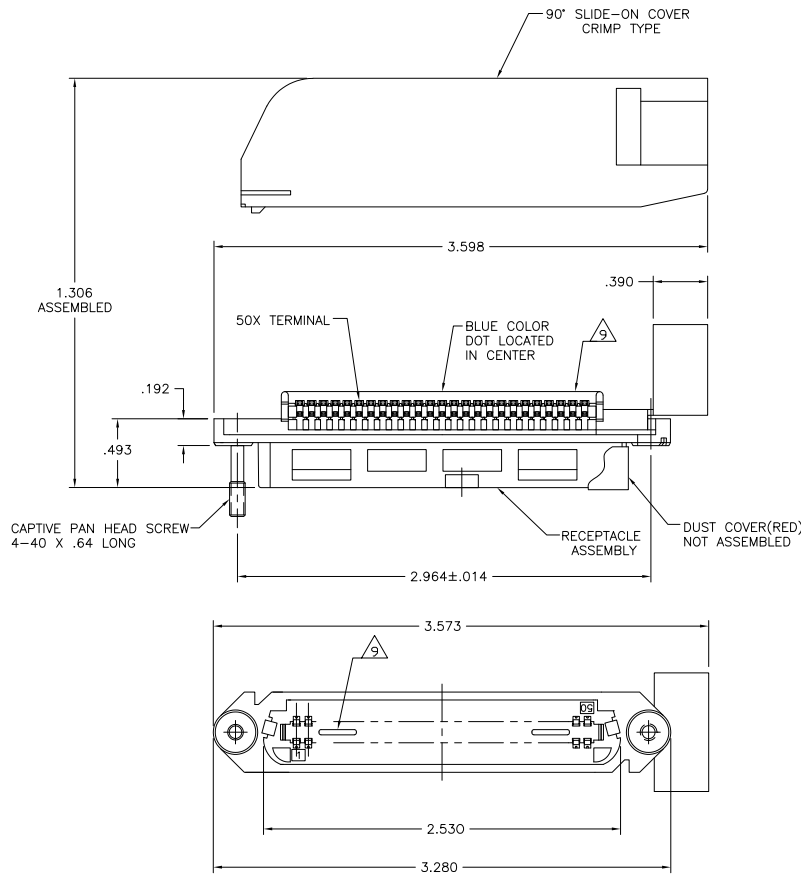
3

2

1

THIS DRAWING IS UNPUBLISHED. RELEASED FOR PUBLICATION  
 BY TYCO ELECTRONICS CORPORATION. ALL RIGHTS RESERVED.

LOC	DIST	REVISIONS					
GP	00	P	LTR	DESCRIPTION	DATE	BY	APPD
		C		REVISED PER ECO-08-007327	02OCT08	BM	WM



1. THE CONTACT SURFACES OF THE TERMINALS ARE COATED WITH LUBRICANT.
2. MATERIAL: HOUSING & SLIDE-ON COVER: POLYPHENYLENE. CABLE CLAMP & SCREW: ZINC PLATED STEEL. TERMINAL - HIGH STRENGTH COPPER ALLOY PLATED WITH EITHER .000030 MIN GOLD OR GOLD FLASH OVER PALLADIUM NICKEL PLATE, .000030 MIN TOTAL ON MATING SURFACE, .000050 MIN NICKEL UNDERPLATE OVER ENTIRE TERMINAL. DUST COVER: POLYETHYLENE.
3. WIRE SIZE: 24 & 26 AWG SOLID OR 24 AWG 7 STRANDS OF COPPER CONDUCTORS. MAX INSULATION DIAMETER OF .045 IS ACCEPTABLE FOR MOST APPLICATIONS.
4. CENTER-TO-CENTER SPACING OF TERMINALS IS .085 NOMINAL.
5. CABLE CLAMP & SCREW ARE ASSEMBLED TO CONNECTOR UNCRIMPED.
6. ALL DIMENSIONS ARE MAXIMUM UNLESS OTHERWISE SPECIFIED.
7. COVER SHIPPED UNASSEMBLED WITH CABLE CLAMP UNCRIMPED.
8. KIT SHIPPED BULK PACKAGED.
9. CORING MAY OR MAY NOT APPEAR AND IS AT THE DISCRETION OF AMP INCORPORATED.

YES	GRAY	5553212-3
DUST COVER	COLOR	PART NUMBER

THIS DRAWING IS A CONTROLLED DOCUMENT.		DR. S. MCMASTER	DESIGNER	Tyco Electronics Corporation	
DIMENSIONS:		DR. W. MILLHIMES	DESIGNER	Harrisburg, PA 17105-3608	
INCHES		APP. W. MILLHIMES	NAME	RECEPTACLE ASSEMBLY, 50 POSITION, B SLOT, CRIMP TYPE, SCREW & 90 DEGREE COVER, CHAMP-LOK	
OTHER DIMENSIONS:		APPLICATION SPEC	SIZE	CAGE CODE	DRAWING NO
0 PLC			A2	00779	C-5553212
1 PLC			RESTRICTED TO		
2 PLC					
3 PLC					
4 PLC					
ANGLES					
FINISH					
MATERIAL					
CUSTOMER DRAWING				SCALE	2:1
				SHEET	1 of 1
				REV	C

AMP 1471-9 REV 31MM2000

5553212