

4

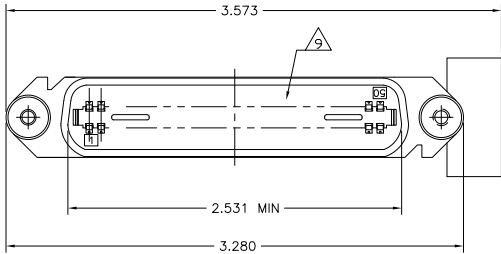
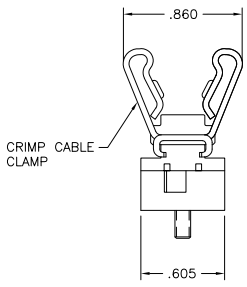
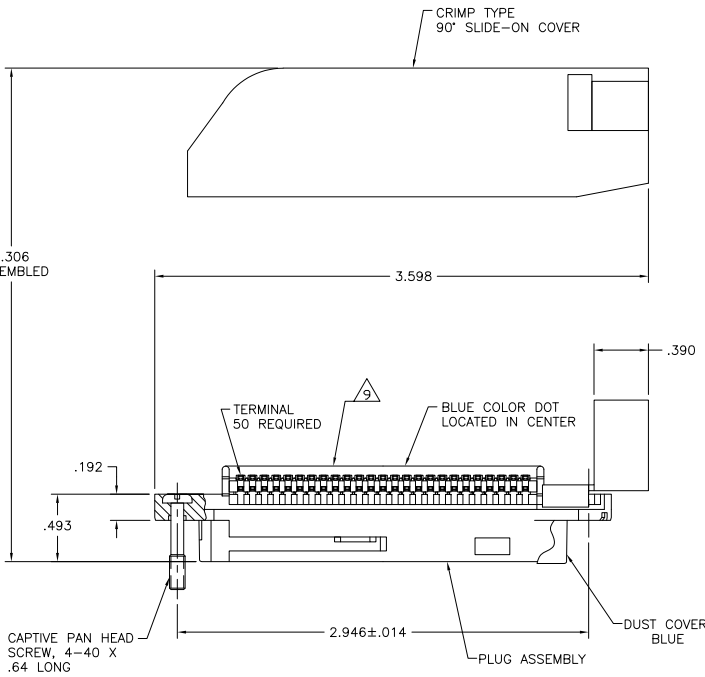
3

2

1

THIS DRAWING IS UNPUBLISHED. RELEASED FOR PUBLICATION
 © COPYRIGHT BY TYCO ELECTRONICS CORPORATION. ALL RIGHTS RESERVED.

LOC	DIST	REVISIONS			
P	LTR	DESCRIPTION	DATE	BY	APPD
CP	00				
	C	REVISED PER ECO-08-007327	02OCT08	BM	WM



1. THE CONTACT SURFACES OF THE TERMINALS ARE COATED WITH LUBRICANT.
2. MATERIAL: HOUSING & SLIDE ON COVER: POLYPHENYLENE. CABLE CLAMP & SCREW: ZINC PLATED STEEL. TERMINAL - HIGH STRENGTH COPPER ALLOY PLATED WITH EITHER .000030 MIN GOLD OR GOLD FLASH OVER PALLADIUM NICKEL PLATE. .000030 MIN TOTAL ON MATING SURFACE. .000050 MIN NICKEL UNDERPLATE OVER ENTIRE TERMINAL. DUST COVER: POLYETHYLENE
3. WIRE SIZE: 24 & 26 AWG SOLID OR 24 AWG 7 STRANDS OF COPPER CONDUCTORS. MAX INSULATION DIAMETER OF .045 IS ACCEPTABLE FOR MOST APPLICATIONS.
4. CENTER-TO-CENTER SPACING OF TERMINALS IS .085 NOMINAL.
5. CABLE CLAMP AND SCREW ARE ASSEMBLED TO CONNECTOR BEFORE SHIPMENT.
6. ALL DIMENSIONS ARE MAXIMUM UNLESS OTHERWISE SPECIFIED.
7. 90° COVER SHIPPED UNASSEMBLED WITH CABLE CLAMP UNCRIMPED.
8. KIT SHIPPED BULK PACKAGED.
9. CORING MAY OR MAY NOT APPEAR AND IS AT THE DISCRETION OF AMP INCORPORATED.

YES	GRAY	5553213-3
DUST COVER	COLOR	PART NUMBER

THIS DRAWING IS A CONTROLLED DOCUMENT.		DR. S. MCMASTER 01SEP08	Tyco Electronics Corporation	
DIMENSIONS:		CR. W. MILLIMETERS 01SEP08	Harrisburg, PA 17105-3608	
INCHES		APP. W. MILLIMETERS	Tyco Electronics	
OTHER DIMENSIONS:		NAME	PLUG KIT, 50 POSN, B SLOT, CRIMP TYPE, SCR & 90 DEGREE COVER, CHAMP-LOK	
0 PLC		APPLICATION SPEC	SIZE	
1 PLC		PRODUCT SPEC	CASE CODE	
2 PLC		WEIGHT	DRAWING NO	
3 PLC			A2 00779	
4 PLC			C-5553213	
ANGLES			RESTRICTED TO	
FINISH			CUSTOMER DRAWING	
			SCALE 2:1 SHEET 1 of 1 REV C	

AMP 1471-9 REV 31MM2000

5553213

A