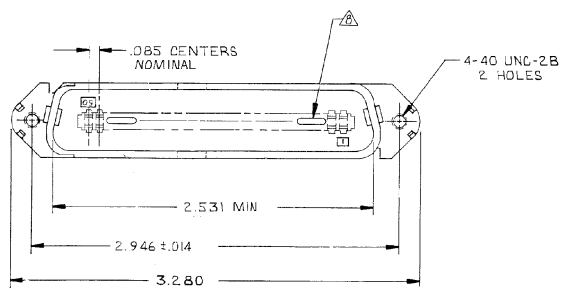
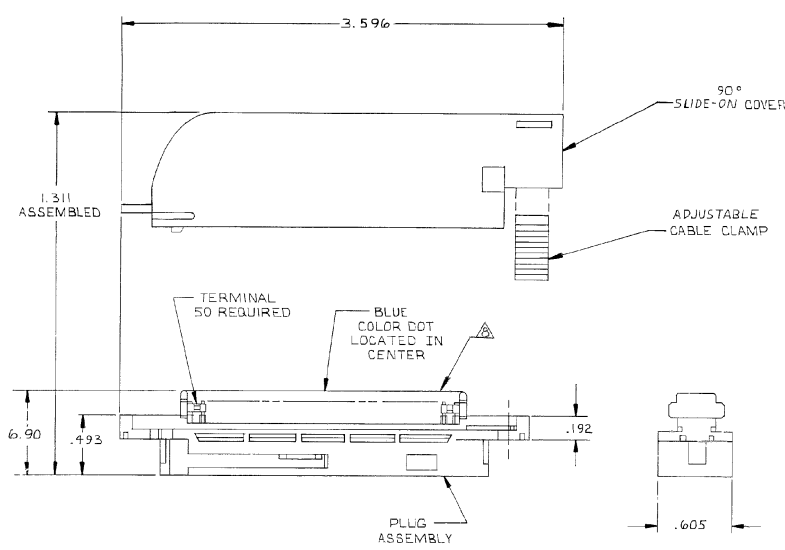


THIS DRAWING IS UNPUBLISHED. RELEASED FOR PUBLICATION
 © COPYRIGHT BY TYCO ELECTRONICS CORPORATION. ALL RIGHTS RESERVED.

LOC		DIST		REVISIONS			
P	LN	REVISED PER	DATE	BY	APP'D		
GP	00	G	REVISED PER EDO-08-007327	27JAN2009	ZMR	WLM	



1. THE CONTACT SURFACES OF THE TERMINALS ARE COATED WITH LUBRICANT.
 2. ALL DIMENSIONS ARE REFERENCE ONLY UNLESS OTHERWISE SPECIFIED.
 3. MATERIAL:
 HOUSING, COVER AND CABLE CLAMP - POLYPHENYLENE OXIDE.
 TERMINALS - HIGH STRENGTH COPPER ALLOY PLATED WITH EITHER .000030 MIN GOLD OR GOLD FLASH OVER PALLADIUM NICKEL .000030 MIN TOTAL, ON CONTACT MATING SURFACE. .000050 MIN NICKEL UNDERPLATE OVER ENTIRE TERMINAL.
 4. COVER AND CABLE CLAMP SHIPPED UNASSEMBLED
 5. WIRE SIZE: 24 & 26 AWG SOLID OR 24 AWG 7 STRANDS OF COPPER CONDUCTOR. MAX INSULATION DIA OF .045 IS ACCEPTABLE FOR MOST APPLICATIONS.
 6. CABLE RANGE: .425 MAXIMUM DIAMETER.
 7. KIT SHIPPED IN POLYBAG FORM.
- △ CORING MAY OR MAY NOT APPEAR IN THIS AREA AND IS AT THE DISCRETION OF TYCO ELECTRONICS.

BLACK	554548-1
COLOR	PART NO

THIS DRAWING IS A CONTROLLED DOCUMENT.		REV: MIDKIFF 8-23-84	Tyco Electronics Corporation Harrisburg, PA 17105-3608	
DIMENSIONS INCHES		CHK: CANTY 8-23-84	APPC: 8-24-84 NAME: PLUG KIT, 50 POSITION, 8 SLOT INTEGRAL LOCKING LATCH CHAMP-LOK	
TOLERANCES UNLESS OTHERWISE SPECIFIED:		APPC: 8-24-84 NAME: PLUG KIT, 50 POSITION, 8 SLOT INTEGRAL LOCKING LATCH CHAMP-LOK	SIZE: A2	QAGE CODE: 00779
0 P.L.C.	± .005	PRODUCT SPEC	DRAWING NO: 554548	RESTRICTED TO: -
1 P.L.C.	± .002	APPLICATION SPEC		
2 P.L.C.	± .001			
3 P.L.C.	± .0005			
4 P.L.C.	± .0002			
MATERIAL: 3	FINISH: 3	WEIGHT: -	CUSTOMER DRAWING	SCALE: NTS SHEET: 1 of 1 REV: G

AMP 1471-9 REV 31MAR2000

55-6548