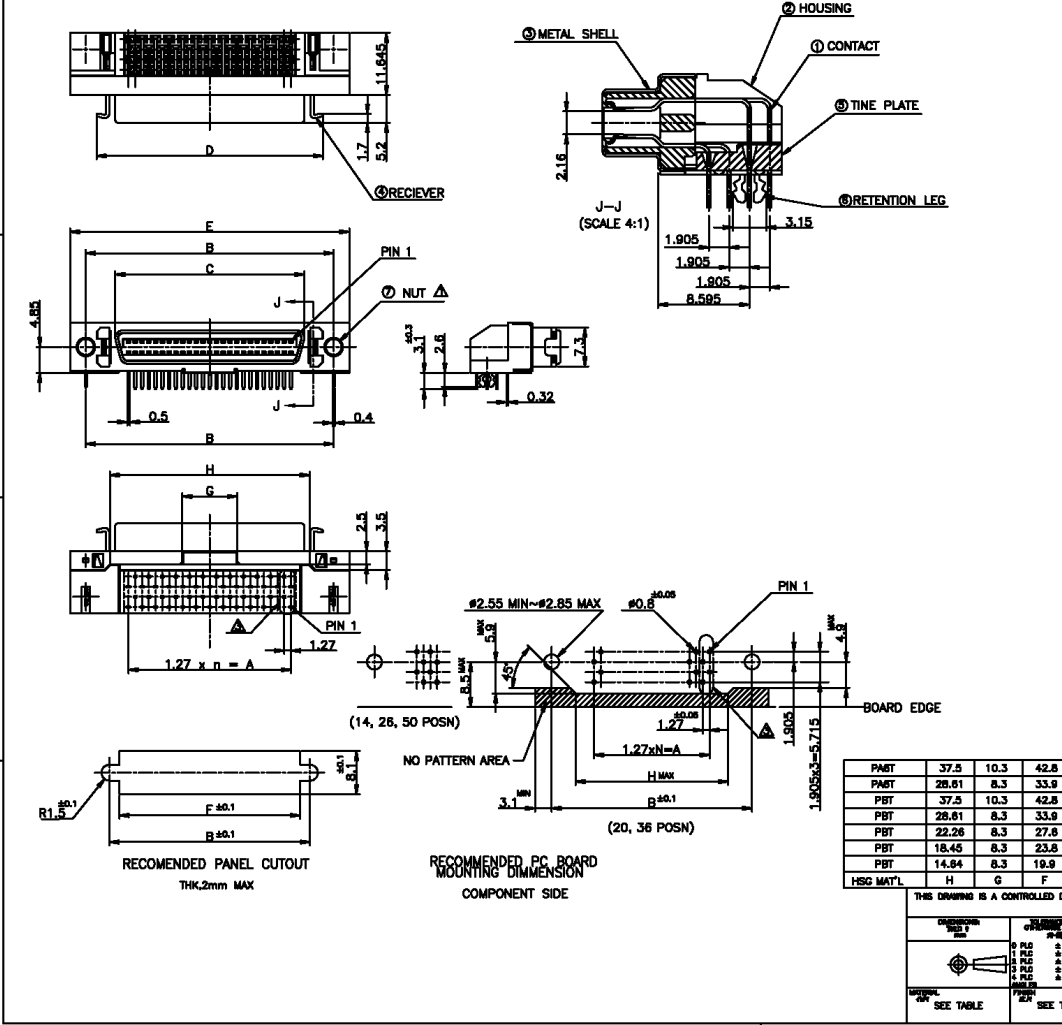


FOR ORDERING & INFORMATION: RELEASED FOR PUBLICATION
 © COPYRIGHT 1988 BY TOKAI ELECTRONIC CORPORATION. ALL RIGHTS RESERVED.

REVISIONS				
NO.	DATE	DESCRIPTION	BY	APP.
0		RELEASED PER FUDO-1348-04	NONOV04	LZ I.E.



ITEM	(MATERIAL)	(FINISH)
①	COPPER ALLOY	NICKEL UNDER PLATE ALL OVER CONTACT AREA : Au(0.0001) SOLDER TINE AREA : TIN PLATE
② ⑤	PBT OR PAST	COLOR : PBT BLACK PAST NATURAL
③	STEEL THKO.25	NICKEL PLATE OVER COPPER UNDERPLATE
④	STAINLESS STEEL	
⑥	COPPER ALLOY	NICKEL UNDER PLATE ALL OVER. TIN PLATING ALL OVER.
⑦	STEEL	NICKEL PLATE OVER COPPER UNDERPLATE

△RECOMMENDED SCREW SIZE ; M2.6 PANHEAD SCREW.(L=5)
 2 RECOMMENDED P.C BOARD THICKNESS ; 1.6mm±0.15
 △POST PATTERN AS SHOWN ON THIS END FOR ALL POSITION.

LEAD FREE

PART	37.5	10.3	42.8	52.40	42.50	35.48	48.50	30.48	24	30	1-5917738-7
PAST	28.61	8.3	33.9	43.51	33.81	28.59	37.81	21.59	17	28	1-5917738-8
PBT	37.5	10.3	42.8	52.40	42.50	35.48	48.50	30.48	24	30	5917738-7
PBT	28.61	8.3	33.9	43.51	33.81	28.59	37.81	21.59	17	28	5917738-8
PBT	22.28	8.3	27.8	37.18	27.28	20.24	31.28	15.24	12	28	5917738-4
PBT	18.45	8.3	23.5	33.35	23.45	18.43	27.45	11.43	9	20	5917738-2
PBT	14.84	8.3	19.9	29.54	19.64	12.82	23.64	7.82	8	14	5917738-1
HSG MAT'L	H	G	F	E	D	C	B	A	N	POSITION	PART NO.

THIS DRAWING IS A CONTROLLED DOCUMENT.

DESIGNED BY: LEI, ZHEN
 CHECKED BY: STEVEN YAO
 DRAWING NO: 5917738-7
 PROJECT NO: 5917738-7
 APPROVED BY: CHAMP, 050 SERIES (I)
 FMS-TYPE
 DATE: 00779
 CUSTOMER DRAWING: 5917738