

4

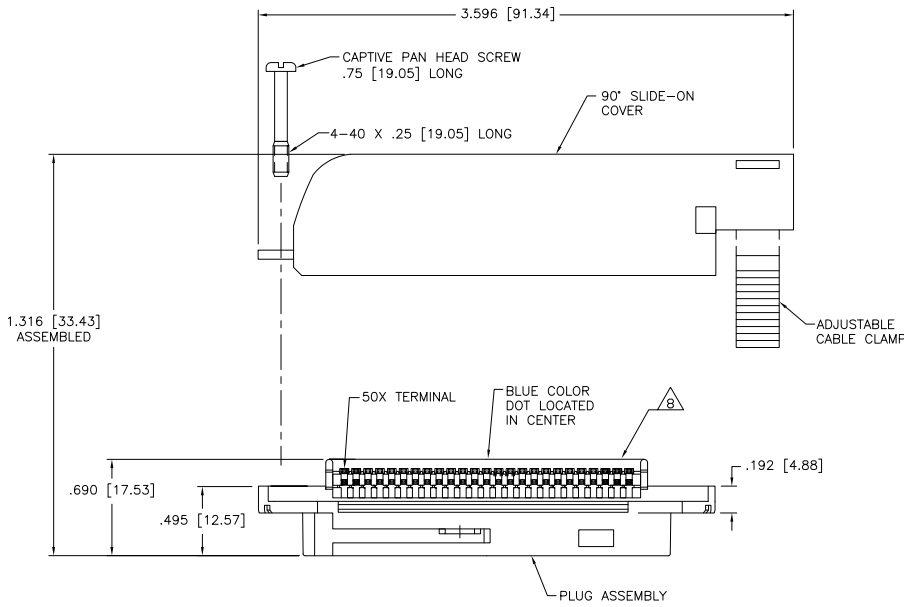
3

2

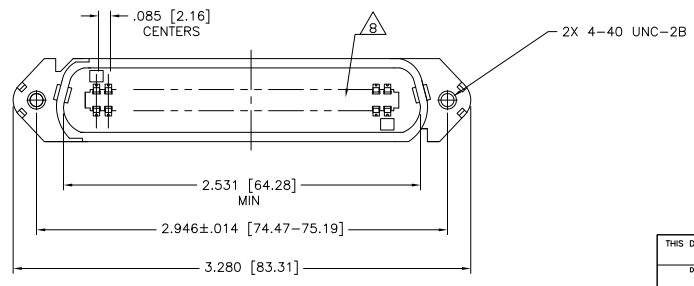
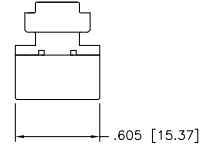
1

THIS DRAWING IS UNPUBLISHED. RELEASED FOR PUBLICATION  
 © COPYRIGHT BY TYCO ELECTRONICS CORPORATION. ALL RIGHTS RESERVED.

LOC	DIST	REVISIONS					
GP	00	P	LTR	DESCRIPTION	DATE	BY	APP'D
		B		REVISED PER ECO-08-007327	02OCT08	BM	WM



1. THE CONTACT SURFACES OF THE TERMINALS ARE COATED WITH LUBRICANT.
  2. ALL DIMENSIONS ARE MAXIMUM UNLESS OTHERWISE SPECIFIED.
- △ MATERIAL:  
 HOUSING, COVER, AND CABLE CLAMP: POLYPHENYLENE OXIDE GRAY.  
 TERMINAL: PHOSPHOROUS BRONZE PLATED WITH .000030 [0.76µm] MIN GOLD OR GOLD FLASH OVER PALLADIUM NICKEL PLATE, .000030[0.76µm] MIN TOTAL ON MATING SURFACE. .000050[1.27µm] MIN NICKEL UNDERPLATE OVER ENTIRE TERMINAL.
4. COVER, SCREW & CABLE CLAMP SHIPPED UNASSEMBLED.
  5. WIRE SIZE: 24-26 AWG SOLID OR 24 AWG STRANDED COPPER CONDUCTORS, MAXIMUM INSULATION DIAMETER OF .045[1.15] IS ACCEPTABLE FOR MOST APPLICATIONS.
  6. CABLE RANGE: .425[10.80] DIAMETER MAX.
  7. 500 KITS BULK PACKAGED.
- △ CORING IS AN OPTIONAL CONFIGURATION AND IS AT THE DISCRETION OF AMP.



5556821-1  
 PART NUMBER

THIS DRAWING IS A CONTROLLED DOCUMENT.		DR. S. MCMASTER 270CT05	Tyco Electronics Corporation	
		CR. 270CT05	Harrisburg, PA 17105-3608	
DIMENSIONS:		W. MILLIMETERS 270CT05	NAME	
INCHES (mm)		W. MILLIMETERS	PLUG KIT, 50 POSITION, B-SLOT,	
		PRODUCT SPEC	WITH 90 DEGREE COVER AND	
		APPLICATION SPEC	SCREW, CHAMP-LOK	
MATERIAL		WEIGHT	SIZE	RESTRICTED TO
FINISH			A2 00779 C-5556821	
		CUSTOMER DRAWING	SCALE	SHEET
			2:1	1 of 1 REV B

AMP 1471-9 REV 31MM2000