

4

3

2

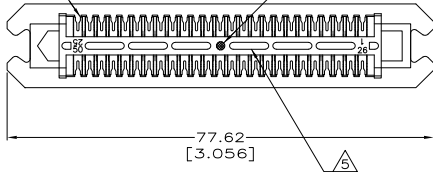
1

THIS DRAWING IS UNPUBLISHED. RELEASED FOR PUBLICATION.
 BY TYCO ELECTRONICS CORPORATION. ALL RIGHTS RESERVED.

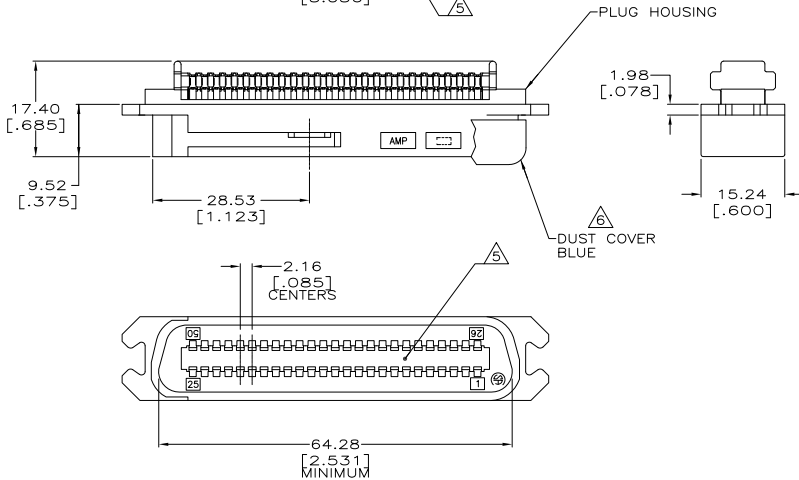
LOC	DIST	REVISIONS					
		F	LN	DATE	BY	APPD	
GP	00	S		REVISED PER ECO-08-007327	05SEP08	BM	WM

TERMINAL
QUANTITY 50

BLUE COLOR DOT
LOCATED IN CENTER



1. THE CONTACT SURFACES OF THE TERMINALS ARE COATED WITH LUBRICANT.
 2. MATERIAL: HOUSING - POLYPHEYLENE OXIDE, BLACK. TERMINAL - HIGH STRENGTH COPPER ALLOY PLATED WITH $0.76\mu\text{m}$ [0.00030] MIN GOLD OR GOLD FLASH OVER PALLADIUM NICKEL PLATE, $0.76\mu\text{m}$ [0.00030] MIN TOTAL ON MATING SURFACE. $1.27\mu\text{m}$ [0.00050] MIN NICKEL UNDERPLATE OVER ENTIRE TERMINAL.
 3. ALL DIMENSIONS SHOWN ARE FOR REFERENCE ONLY UNLESS OTHERWISE SPECIFIED.
 4. WIRE SIZE: 24 & 26 AWG SOLID OR 24 AWG 7 STRANDS OF COPPER CONDUCTORS. MAX INSULATION DIAMETER OF 1.14[.045] IS ACCEPTABLE FOR MOST APPLICATIONS.
- ⚠ CORING MAY OR MAY NOT APPEAR AND IS AT THE DISCRETION OF AMP.
- ⚠ DUST COVER, IF INCLUDED, IS SHIPPED NOT ASSEMBLED.



NO	552032-1
DUST COVER	PART NUMBER

THIS DRAWING IS A CONTROLLED DOCUMENT.		DR DL DEUMOND 01JUN01		Tyco Electronics Corporation	
DIMENSIONS: mm [INCHES]		CHK DL DEUMOND 01JUN01		Harrisburg, PA 17105-3608	
TOLERANCES UNLESS OTHERWISE SPECIFIED:		APP DL DEUMOND 01JUN01		PLUG ASSEMBLY,	
0 PLC ± .05		NAME		50 POSITION, B-SLOT, BAIL LOCK,	
1 PLC ± .02		PRODUCT SPEC		CHAMP-LOK	
2 PLC ± .01		APPLICATION SPEC		SIZE CASE CODE DRAWING NO RESTRICTED TO	
3 PLC ± .005		WEIGHT		A2 00779 C=552032	
4 PLC ± .002		FINISH		CUSTOMER DRAWING SCALE 2:1 SHEET 1 of 1 REV S	

AMP 1471-9 REV 31MM2000

552032

A