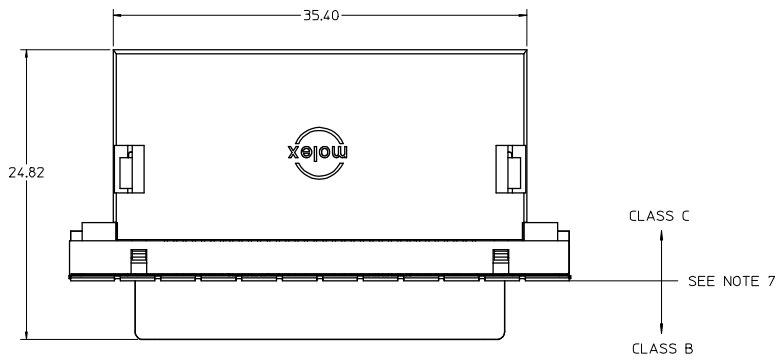
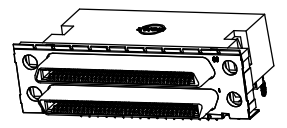
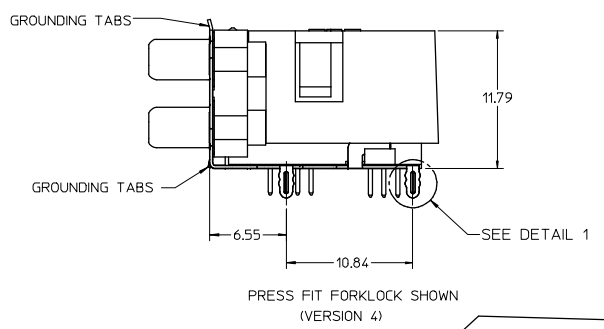
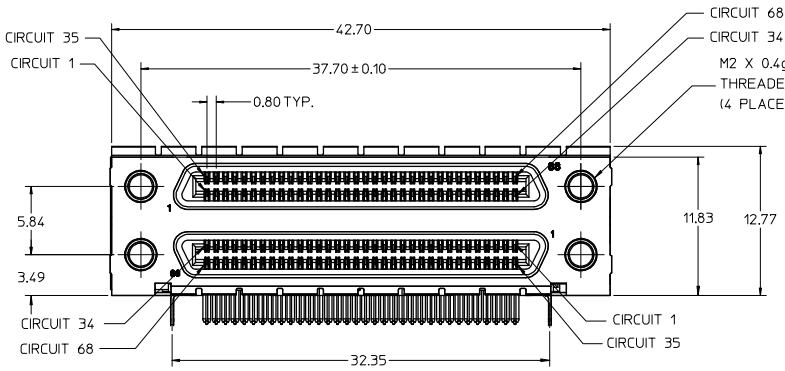


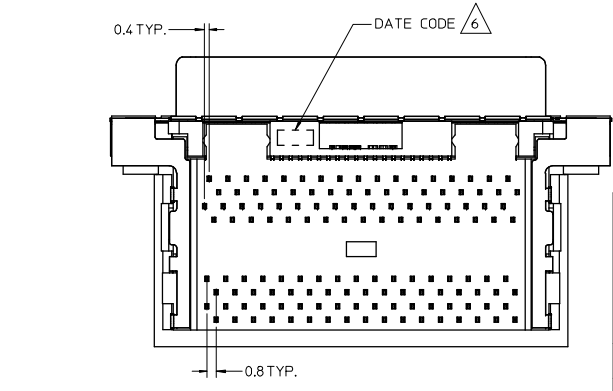
12 | 11 | 10 | 9 | 8 | 7 | 6 | 5 | 4 | 3 | 2



- NOTES:
1. MATERIALS:  
HOUSING, COVER, AND TAIL ALIGNER: HIGH TEMPERATURE THERMOPLASTIC, UL94, V-0 RATED, COLOR: BLACK  
TERMINAL: PHOSPHOR BRONZE ALLOY  
BRACKET: BRASS  
SHELL: STEEL  
INSERT: BRASS
  2. FINISHES:  
TERMINAL: 0.05-0.25 MICROMETERS GOLD FLASH IN CRITICAL AREA OVER 0.75 MICROMETERS MINIMUM PALLADIUM NICKEL IN CRITICAL AREA, 1.87 MICROMETERS MINIMUM TIN IN SOLDER TAIL AREA, ALL OVER NICKEL.  
BRACKET: 5.0 MICROMETERS MINIMUM BRIGHT TIN.  
SHIELD: 3.81 MICROMETERS MINIMUM BRIGHT TIN OVER 1.27 MICROMETERS MINIMUM NICKEL OVER COPPER FLASH (OPTIONAL).  
INSERT: 2.54 MICROMETERS MINIMUM NICKEL.
  3. PRODUCT SPECIFICATION: PS-71425-9999.
  4. PACKAGING SPECIFICATION: TRAY PACK PER PK-74337-001.
  5. APPLICABLE STANDARDS: EIA-700A0AF AND SFF-8441.
  6. DATE CODE: YR/WK PER EIA-476-A.
  7. PRODUCT COMPLIES WITH COSMETIC SPECIFICATION PS-45499-002. SEE FIGURE AT LEFT FOR SURFACE CLASSIFICATIONS.
  8. TORQUE TO INSTALL SCREWLOCKS INTO THREADED INSERTS: 0.34 Nm MAXIMUM.



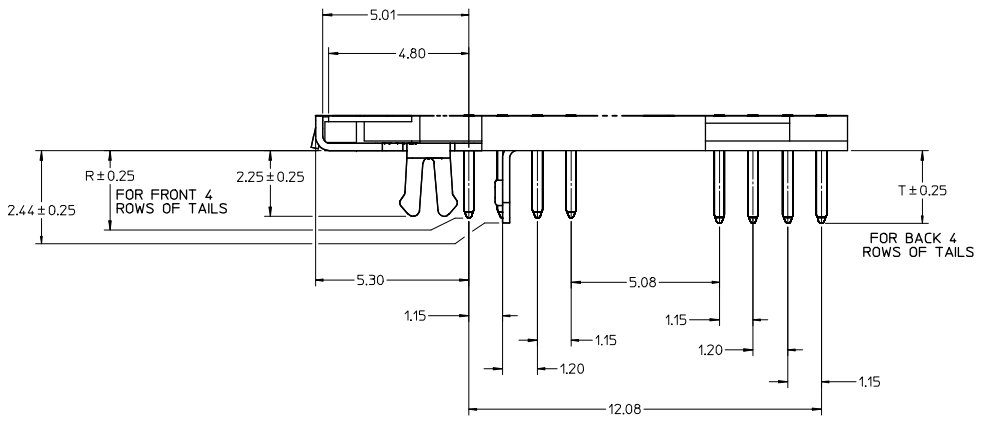
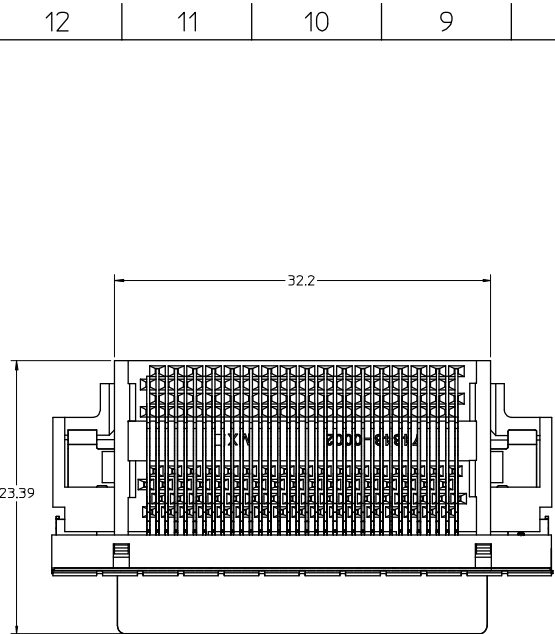
WITH COVER OPTION



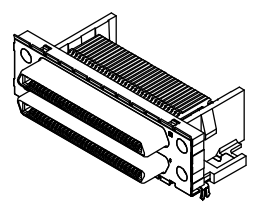
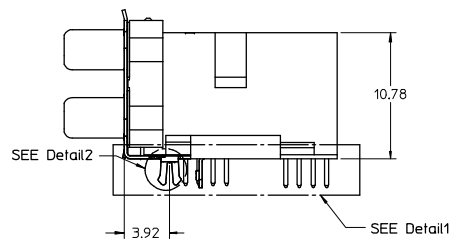
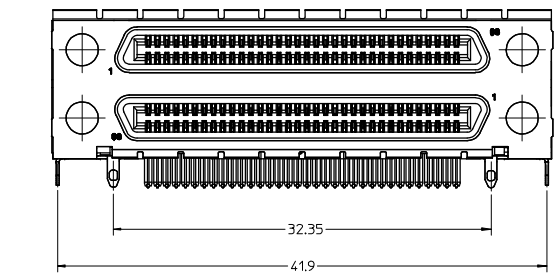
|   |                             |                                       |                      |                         |   |                                 |                  |
|---|-----------------------------|---------------------------------------|----------------------|-------------------------|---|---------------------------------|------------------|
| CLARIFY DIMENSIONS<br>EC NO: LCP2008-1553<br>DRW: BARKER, 2008/02/01<br>CHK: DMORGAN, 2008/02/07<br>APPR: SMILLER, 2008/02/08 | QUALITY SYMBOLS             | GENERAL TOLERANCES (UNLESS SPECIFIED) | SCALE 3:1            | DESIGN UNITS METRIC     | THIRD ANGLE PROJECTION  | REVISE ON CAD ONLY              |                  |
|   | DESCRIPTION<br>▽ -0<br>▽ -0 | mm                                    | INCH                 | DIMENSION STYLE MM ONLY |   | TITLE VHCI STACKED ASSEMBLY     |                  |
|   |                             | 4 PLACES ± --- ± ---                  | 3 PLACES ± --- ± --- | DRAWN BY SSAMPSON       | DATE 05.08.2001   | MATERIAL NO. MOLEX INCORPORATED |                  |
|   |                             | 2 PLACES ± 0.13 ± ---                 | 1 PLACE ± 0.25 ± --- | CHECKED BY MBANAKIS     | DATE 05.08.2001   | DOCUMENT NO. SD-74337-014       | SHEET NO. 1 OF 4 |
|   | ANGULAR ± 1°                | DRAFT WHERE APPLICABLE                | APPROVED BY MBANAKIS | DATE 05.08.2001         | THIS DRAWING CONTAINS INFORMATION THAT IS PROPRIETARY TO MOLEX INCORPORATED AND SHOULD NOT BE USED WITHOUT WRITTEN PERMISSION |                                 |                  |
|   |                             | MUST REMAIN WITHIN DIMENSIONS         |                      |                         |   |                                 |                  |

11 | 10 | 9 | 8 | 7 | 6 | 5 | 4 | 3 | 2 | 1

74337



Detail1  
SCALE 10:1



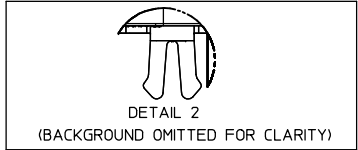
WITHOUT COVER OPTION

|   |                               |   |                         |                     |                              |                    |  |
|---|-------------------------------|---|-------------------------|---------------------|------------------------------|--------------------|--|
| CLARIFY DIMENSIONS<br>EC NO: UCP2008-4553<br>RD: DRWINBARKER 2008/02/07<br>CHKD: DMORGAN 2008/02/07<br>APPR: SMILLER 2008/02/08 | QUALITY SYMBOLS               | GENERAL TOLERANCES (UNLESS SPECIFIED)   | SCALE 4:1               | DESIGN UNITS METRIC | THIRD ANGLE PROJECTION       | REVISE ON CAD ONLY |  |
|   | ▽ 0                           | mm INCH   | DIMENSION STYLE MM ONLY |                     | TITLE VHDCI STACKED ASSEMBLY |                    |  |
|   | ▽ 0                           | 4 PLACES ± --- + ---<br>3 PLACES ± --- + ---<br>2 PLACES ± 0.13 ± ---<br>1 PLACE ± 0.25 ± ---                                 | DRAWN BY SSAMPSON       | DATE 05.08.2001     | MATERIAL NO. SEE TABLE       |                    |  |
|   |                               | ANGULAR ± 1°  | CHECKED BY MBANAKIS     | DATE 05.08.2001     | DOCUMENT NO. SD-74337-014    |                    |  |
|   | DRAFT WHERE APPLICABLE        | APPROVED BY MBANAKIS  | DATE 05.08.2001         | SHEET NO. 2 OF 4    |                              |                    |  |
|   | MUST REMAIN WITHIN DIMENSIONS | THIS DRAWING CONTAINS INFORMATION THAT IS PROPRIETARY TO MOLEX INCORPORATED AND SHOULD NOT BE USED WITHOUT WRITTEN PERMISSION |                         |                     |                              |                    |  |

td\_frame\_C-B1  
rev. B1 2000/08/01

12 | 11 | 10 | 9 | 8 | 7 | 6 | 5 | 4 | 3 | 2 | 74337

### VERSION 1 PART NUMBERS



BOARD RETENTION: SNAP FIT

| PCB THICKNESS | COVER | R DIM. | T DIM. | INCLUDES LOOSE PACKED SCREWLOCKS 71433-0002 SEE DRAWING SD-71433-005 | GROUNDING TABS | PART NUMBER |
|---------------|-------|--------|--------|--|----------------|-------------|
| 1.60±0.16     | YES   | 2.30   | 2.48   | NO   | YES            | 74337-0011  |
| 1.60±0.16     | YES   | 2.08   |        | NO   | YES            | 74337-0012  |
| 1.60±0.16     | NO    | 2.30   | 2.48   | NO   | YES            | 74337-0015  |
| 1.60±0.16     | NO    | 2.08   |        | NO   | YES            | 74337-0016  |
| 1.60±0.16     | YES   | 2.30   | 2.48   | YES  | YES            | 74337-0037  |
| 1.60±0.16     | YES   | 2.08   |        | YES  | YES            | 74337-0038  |
| 1.60±0.16     | NO    | 2.30   | 2.48   | YES  | YES            | 74337-0039  |
| 1.60±0.16     | NO    | 2.08   |        | YES  | YES            | 74337-0040  |
| 2.36±0.16     | YES   | 3.44   | 3.62   | NO   | YES            | 74337-0070  |
| 2.36±0.16     | NO    | 3.44   | 3.62   | NO   | YES            | 74337-0071  |
| 2.36±0.16     | YES   | 3.44   | 3.62   | YES  | YES            | 74337-0072  |
| 2.36±0.16     | NO    | 3.44   | 3.62   | YES  | YES            | 74337-0073  |
| 1.60±0.16     | YES   | 2.08   |        | INSTALLED ON PART  | YES            | 74337-1038  |

### VERSION 4 PART NUMBERS



BOARD RETENTION: PRESS FIT

| PCB THICKNESS | COVER | R DIM. | T DIM. | INCLUDES LOOSE PACKED SCREWLOCKS 71433-0002 SEE DRAWING SD-71433-005 | GROUNDING TABS | PART NUMBER |
|---------------|-------|--------|--------|--|----------------|-------------|
| 1.60±0.16     | YES   | 2.30   | 2.48   | NO   | YES            | 74337-0050  |
| 1.60±0.16     | YES   | 2.08   |        | NO   | NO             | 74337-0051  |
| 1.60±0.16     | NO    | 2.30   | 2.48   | NO   | YES            | 74337-0060  |
| 1.60±0.16     | NO    | 2.08   |        | NO   | YES            | 74337-0061  |
| 1.60±0.16     | YES   | 2.08   |        | NO   | YES            | 74337-0066  |
| 1.60±0.16     | YES   | 2.30   | 2.48   | YES  | YES            | 74337-0053  |
| 1.60±0.16     | YES   | 2.08   |        | YES  | YES            | 74337-0054  |
| 1.60±0.16     | NO    | 2.30   | 2.48   | YES  | YES            | 74337-0063  |
| 1.60±0.16     | NO    | 2.08   |        | YES  | YES            | 74337-0064  |
| 2.36±0.16     | YES   | 3.44   | 3.62   | NO   | YES            | 74337-0052  |
| 2.36±0.16     | NO    | 3.44   | 3.62   | NO   | YES            | 74337-0062  |
| 2.36±0.16     | YES   | 3.44   | 3.62   | YES  | YES            | 74337-0055  |
| 2.36±0.16     | NO    | 3.44   | 3.62   | YES  | YES            | 74337-0065  |
| 1.60±0.16     | YES   | 2.08   |        | INSTALLED ON PART  | YES            | 74337-1054  |

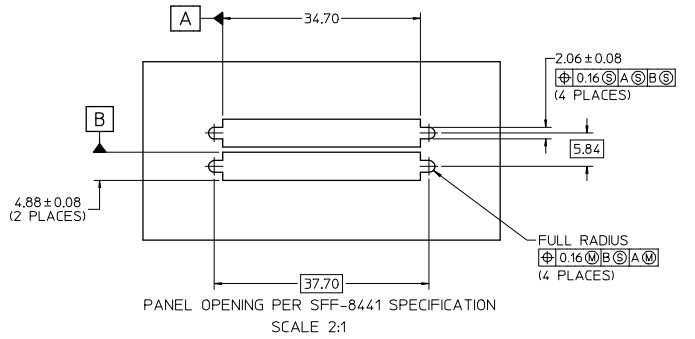
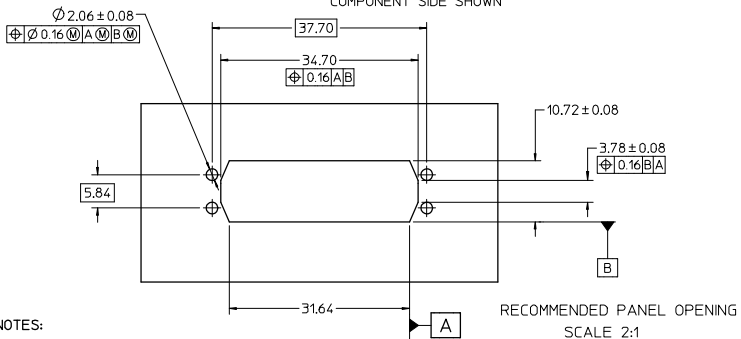
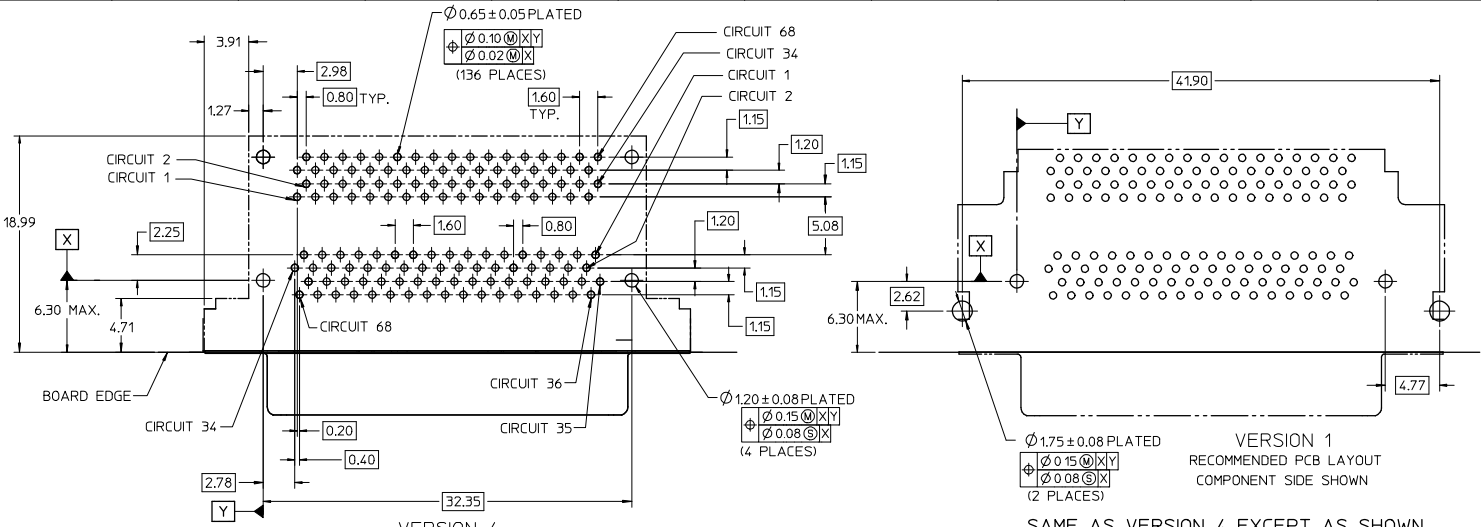


OPTIONAL SCREWLOCK  
71433-0002

|   |                           |                                       |   |                         |                        |                              |
|---|---------------------------|---------------------------------------|---|-------------------------|------------------------|------------------------------|
| <b>CLARIFY DIMENSIONS</b><br>EC NO: IJCP2008-1553<br>RD: DRWINBARKER 2008/02/07<br>CHKD: DMORGAN 2008/02/07<br>APPR: SMILLER 2008/02/08 | QUALITY SYMBOLS           | GENERAL TOLERANCES (UNLESS SPECIFIED) | SCALE 3:1   | DESIGN UNITS METRIC     | THIRD ANGLE PROJECTION | REVISE ON CAD ONLY           |
|   | DESCRIPTION<br>▽ 0<br>▽ 0 | mm                                    | INCH  | DIMENSION STYLE MM ONLY |                        | TITLE VHDCI STACKED ASSEMBLY |
|   |                           | 4 PLACES ± --- ± ---                  | 3 PLACES ± --- ± ---  | DRAWN BY SSAMPSON       | DATE 05.08.2001        |                              |
|   | REV                       | DESCRIPTION                           | 2 PLACES ± 0.13 ± ---   | 1 PLACE ± 0.25 ± ---    | CHECKED BY MBANAKIS    | DATE 05.08.2001              |
| ANGULAR ± 1°  |                           |                                       | APPROVED BY MBANAKIS  |                         | DATE 05.08.2001        |                              |
| DRAFT WHERE APPLICABLE  |                           |                                       | THIS DRAWING CONTAINS INFORMATION THAT IS PROPRIETARY TO MOLEX INCORPORATED AND SHOULD NOT BE USED WITHOUT WRITTEN PERMISSION |                         |                        |                              |
| MUST REMAIN WITHIN DIMENSIONS   |                           |                                       |   |                         |                        |                              |

tb\_frame\_C-B1 rev. B1 2000/08/01

11 | 10 | 9 | 8 | 7 | 6 | 5 | 4 | 3 | 2 | 1



NOTES:

1. FOR FULL MATE WITH PLUG, PANEL THICKNESS SHOULD NOT EXCEED 1.0mm.

FUNCTIONAL MATING WITH MOLEX PLUG CAN STILL BE MAINTAINED WITH PANELS AS THICK AS 2.5mm (BUT PLUG AND RECEPTACLE WILL NOT BE FULLY MATED).

2. GUIDELINES FOR CHOOSING A MOLEX SCREWLOCK:

| PANEL THICKNESS               | RECOMMENDED SCREWLOCK |
|-------------------------------|-----------------------|
| LESS THAN OR EQUAL TO 1.00 MM | 71433-0002            |
| 1.01 TO 2.15 MM               | 71433-0010            |

|  |                      |                                       |                      |                         |                              |   |
|--|----------------------|---------------------------------------|----------------------|-------------------------|------------------------------|---|
| CLARIFY DIMENSIONS<br>EC NO: UCF2008-1553<br>/DRWN:BBARKER 2008/02/07<br>/CHKD:DMORGAN 2008/02/07<br>/APPR:SMILLER 2008/02/08<br>/REV: | QUALITY SYMBOLS      | GENERAL TOLERANCES (UNLESS SPECIFIED) | SCALE 3:1            | DESIGN UNITS METRIC     | THIRD ANGLE PROJECTION       | REVISE ON CAD ONLY  |
|  | 0                    | 4 PLACES ± --- ± ---                  | mm                   | DIMENSION STYLE MM ONLY | TITLE VHDCI STACKED ASSEMBLY |   |
|  | 0                    | 3 PLACES ± --- ± ---                  | INCH                 | DRAWN BY SSAMPSON       | DATE 05.08.2001              |   |
|  |                      | 2 PLACES ± 0.13 ± ---                 |                      | CHECKED BY MBANAKIS     | DATE 05.08.2001              |   |
|  | 1 PLACE ± 0.25 ± --- | ANGULAR ± 1°                          | APPROVED BY MBANAKIS | DATE 05.08.2001         | MATERIAL NO. SEE TABLE       | DOCUMENT NO. SD-74337-014   |
|  |                      | DRAFT WHERE APPLICABLE                |                      |                         | MATERIAL NO. SEE TABLE       | SHEET NO. 4 OF 4  |
|  |                      | MUST REMAIN WITHIN DIMENSIONS         |                      |                         | MATERIAL NO. SEE TABLE       | THIS DRAWING CONTAINS INFORMATION THAT IS PROPRIETARY TO MOLEX INCORPORATED AND SHOULD NOT BE USED WITHOUT WRITTEN PERMISSION |