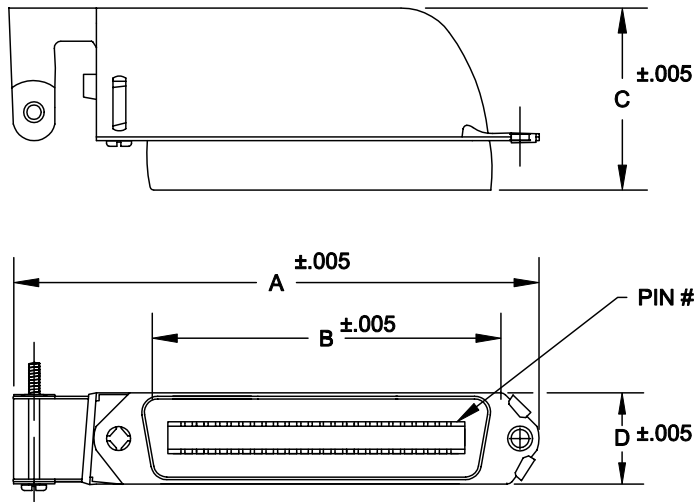


DESCRIPTION: SCS1 1 FEMALE RIGHT ANGLE CONNECTOR/BACKSHELL KIT



	A	B	C	D
36	DISCONTINUED			
50	3.780	2.538	1.325	.646
	96.00	64.47	33.65	16.40

KIT INCLUDES:  
SOLDER CUP CONNECTOR  
BACKSHELL/HARDWARE

112-XXX-203-021

SERIES \_\_\_\_\_  
POSITIONS \_\_\_\_\_  
050 \_\_\_\_\_  
GENDER \_\_\_\_\_  
2 = FEMALE \_\_\_\_\_  
TERMINATION \_\_\_\_\_  
0 = SOLDER CUP \_\_\_\_\_  
SHELL PLATING \_\_\_\_\_  
3 = NICKEL \_\_\_\_\_  
HARDWARE OPTIONS \_\_\_\_\_  
02 = PIN #1 OPPOSITE CABLE ENTRY \_\_\_\_\_  
PLATING OPTIONS \_\_\_\_\_  
1 = GOLD FLASH \_\_\_\_\_

MATERIALS:

INSULATOR: GLASS-FILLED THERMOPLASTIC

UL RATED 94V-0

CONTACTS: COPPER ALLOY

SHELL: STEEL, NICKEL PLATED

CONTACT PLATING:

GOLD PLATED

ELECTRICALS:

CONTACT CURRENT RATING: 5 AMPS

DIELECTRIC WITHSTANDING VOLTAGE: AC 1200 R.M.S.

INSULATION RESISTANCE: 1000 mohms MINIMUM AT 500V DC

CONTACT RESISTANCE: 30 mOHMS MAXIMUM

OPERATING TEMPERATURE: -55°C TO +125°C

NOTE: PLEASE NOTE ORIENTATION OF CONNECTOR IN REGARDS TO CABLE ENTRY.



THESE DRAWINGS AND SPECIFICATIONS ARE THE PROPERTY OF NorComp AND SHALL NOT BE REPRODUCED, COPIED OR USED AS THE BASIS FOR THE MANUFACTURE OF SALE OF APPARATUS WITHOUT WRITTEN PERMISSION.

DRAWN: WAYNE ROBBINS

DATE: 9-25-98

CHECKED:

DATE:

NorComp

SCALE: 1:1 SHEET 1 OF 1 REV 5

DWG NO. 112-XXX-203-021