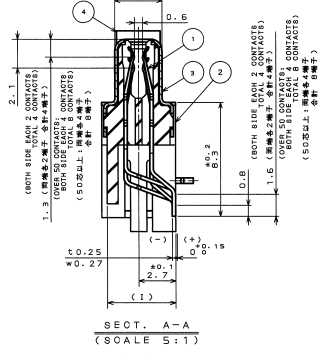
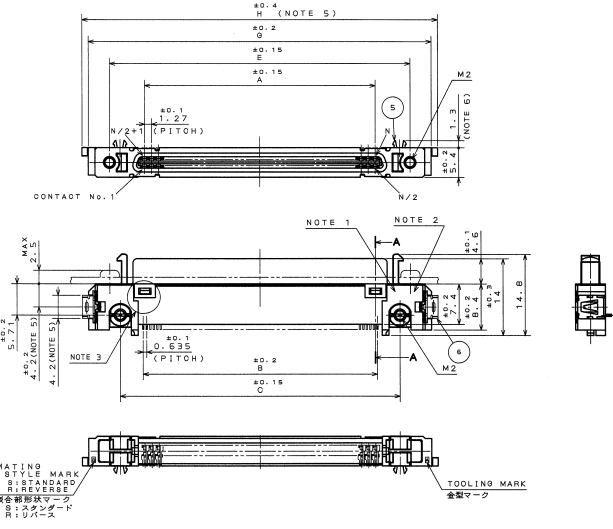


16LLED09
(ON ENHANCED) 標準型



- NOTE 1. PRODUCTION LOT NUMBER AS INDICATED.
(EX.) A 0 0 1
- LOT NUMBER OF CURRENT MONTH
MONTH (1 TO 9 FOR JAN. TO SEPT., RESPECTIVELY.
001-10: NOV. (X=DEC. 17)
YEAR (LAST DIGIT ONLY)
MANUFACTURE CODE
2. LAST NUMBER OF FINISH MARK AS INDICATED.
HOWEVER THERE IS NO MARK ONLY IN CASE FINISH NUMBER IS 1.
3. NUMBER OF THE DEPRESSED SLOTS VARY DEPENDING
ON CONNECTOR SIZES.
4. THIS DRAWING SHOWS JAE P/N OF TX20A-WR-D20F1-A*LM E CONNECTOR
WHICH HAS BOTH HOLD DOWN AND HOOK PIN/ EXPANSION POST.
5. DIMENSION SHOWN ABOVE 18 ONLY REQUIRED IN CASE OF THE
CONNECTOR TYPE WITH HOLD DOWN.
6. DIMENSION SHOWN ABOVE 18 ONLY REQUIRED IN CASE OF THE
CONNECTOR TYPE WITH HOOK PIN.

TABLE 1

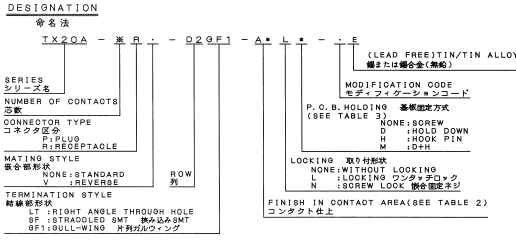
PARTS NUMBER	NUMBER OF CONTACTS	A	B	C	D	E	F	G	H	I
TX20A-10R-D20F1-A*LM E	10	5.08	5.715	13.97	15.48	17.78	25.28	25.48	27.88	5.25
TX20A-14R-D20F1-A*LM E	14	7.62	8.255	16.51	18.02	20.32	27.82	28.02	30.32	5
TX20A-26R-D20F1-A*LM E	26	15.24	15.875	24.13	25.64	27.94	35.44	35.64	37.94	5.4
TX20A-36R-D20F1-A*LM E	36	21.59	22.225	30.48	31.99	34.29	41.79	41.99	44.29	5
TX20A-50R-D20F1-A*LM E	50	30.48	31.115	39.37	40.88	43.18	50.68	50.88	53.18	5
TX20A-68R-D20F1-A*LM E	68	41.91	42.545	50.80	52.31	54.61	62.11	62.31	64.61	5

TABLE 2

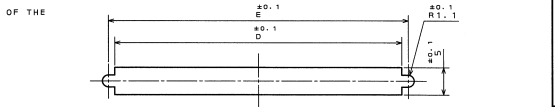
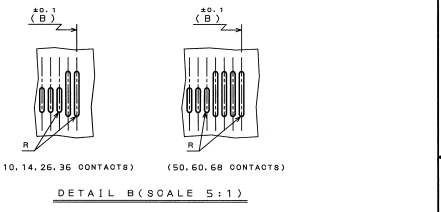
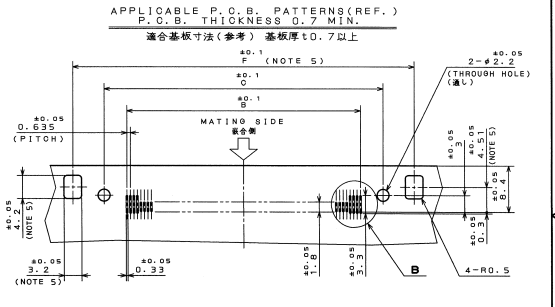
AREA	FINISH	A1	A2	A3
CONTACT AREA		90LD(0.1μm MIN.) OVER NICKEL	90LD(0.3μm MIN.) OVER NICKEL	90LD(0.75μm MIN.) OVER NICKEL
TERMINAL AREA		(LEAD FREE) TIN/TIN ALLOY	(LEAD FREE) TIN/TIN ALLOY	(LEAD FREE) TIN/TIN ALLOY

TABLE 3

JAE DESCRIPTION	HOLD DOWN	HOOK PIN	MOUNTER 註
TX20A-WR-D20F1-A*LM E	W/O	W/O	※A
TX20A-WR-D20F1-A*LM E	W/T	W/O	※A
TX20A-WR-D20F1-A*LM E	W/O	W/T	※A
TX20A-WR-D20F1-A*LM E	W/T	W/T	※A



REV.	DATE	CON. NO.	変更内容	製図	指出	承認	承認



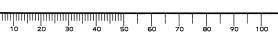
MOUNTER 註: AVAILABILITY FOR AUTOMATIC MULTI-FUNCTIONAL
SMD PLACEMENT MACHINE.
W/T: WITH W/O: WITHOUT N/A: NOT AVAILABLE

NO.	DESCRIPTION	MATERIAL	FINISH	REMARKS
6	HOLD DOWN	2 PHOSPHOR BRONZE	(LEAD FREE) TIN/TIN ALLOY	(NOTES)
5	HOOK PIN	2 PHOSPHOR BRONZE	(LEAD FREE) TIN/TIN ALLOY	(NOTE G)
4	HOOK LUG	2 ZINC ALLOY	NICKEL PLATING	
3	SHELL	1 STEEL	NICKEL PLATING	
2	INSULATOR	1 GLASS FILLED PPS		COLOR: BLACK UL 94V-0
1	CONTACT	N PHOSPHOR BRONZE		TABLE 2

NO.	DESCRIPTION	MATERIAL	FINISH	REMARKS
6	HOLD DOWN	2 PHOSPHOR BRONZE	(LEAD FREE) TIN/TIN ALLOY	(NOTES)
5	HOOK PIN	2 PHOSPHOR BRONZE	(LEAD FREE) TIN/TIN ALLOY	(NOTE G)
4	HOOK LUG	2 ZINC ALLOY	NICKEL PLATING	
3	SHELL	1 STEEL	NICKEL PLATING	
2	INSULATOR	1 GLASS FILLED PPS		COLOR: BLACK UL 94V-0
1	CONTACT	N PHOSPHOR BRONZE		TABLE 2

NO.	DESCRIPTION	MATERIAL	FINISH	REMARKS
6	HOLD DOWN	2 PHOSPHOR BRONZE	(LEAD FREE) TIN/TIN ALLOY	(NOTES)
5	HOOK PIN	2 PHOSPHOR BRONZE	(LEAD FREE) TIN/TIN ALLOY	(NOTE G)
4	HOOK LUG	2 ZINC ALLOY	NICKEL PLATING	
3	SHELL	1 STEEL	NICKEL PLATING	
2	INSULATOR	1 GLASS FILLED PPS		COLOR: BLACK UL 94V-0
1	CONTACT	N PHOSPHOR BRONZE		TABLE 2

NO.	DESCRIPTION	MATERIAL	FINISH	REMARKS
6	HOLD DOWN	2 PHOSPHOR BRONZE	(LEAD FREE) TIN/TIN ALLOY	(NOTES)
5	HOOK PIN	2 PHOSPHOR BRONZE	(LEAD FREE) TIN/TIN ALLOY	(NOTE G)
4	HOOK LUG	2 ZINC ALLOY	NICKEL PLATING	
3	SHELL	1 STEEL	NICKEL PLATING	
2	INSULATOR	1 GLASS FILLED PPS		COLOR: BLACK UL 94V-0
1	CONTACT	N PHOSPHOR BRONZE		TABLE 2



LEAD FREE 2005年4月1日より

JAE CONNECTOR DIV. PROPRIETARY. COPYRIGHT (C) 2005. JAPAN AVIATION ELECTRONICS INDUSTRY, LTD.

SHEET 1 OF 1

DRAWING NO. SJ037791

1