

4

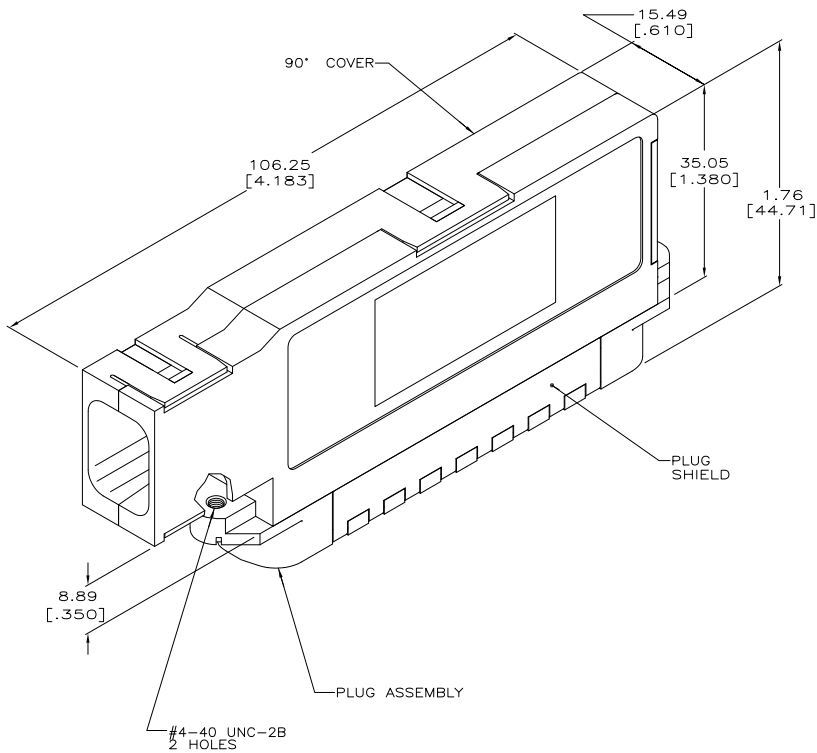
3

2

1

THIS DRAWING IS UNPUBLISHED. RELEASED FOR PUBLICATION  
 BY TYCO ELECTRONICS CORPORATION. ALL RIGHTS RESERVED.

LOC	DIST	REVISIONS				
GP	00	F	LR	DATE	MIN	APD
		D		REVISED PER ECO-08-007327	05SEP08	BM WM



- THIS DRAWING SHOWN ASSEMBLED, BUT SHIPPED NOT ASSEMBLED.
- ⚠ MATERIAL: HOUSING - POLYPHENYLENE OXIDE, BLACK.  
SHIELDS - CARBON STEEL PLATED WITH 5.1µm [.000200] MINIMUM NICKEL.  
COVERS - ABS MOLDING COMPOUND, PLATED WITH 0.51µm [.000020] MINIMUM ELECTROLYTIC NICKEL OVER 5.1µm [.000200] MINIMUM ELECTROLYTIC COPPER OVER 0.25µm [.000010] MINIMUM ELECTROLESS NICKEL.  
TERMINAL - PHOSPHOROUS BRONZE PLATED WITH 0.76µm [.000030] MIN GOLD OR GOLD FLASH OVER PALLADIUM NICKEL PLATE, 0.76µm [.000030] MIN TOTAL ON MATING SURFACE. 1.27µm [.000050] MIN NICKEL UNDERPLATE OVER ENTIRE TERMINAL.
  - ⚠ WIRE SIZE: 24-26 AWG SOLID OR 24 AWG 7-STRANDED COPPER CONDUCTORS. INSULATION DIAMETER OF 0.73-1.15 [.029-.045] IS ACCEPTABLE FOR MOST APPLICATIONS.
  - ⚠ ALL DIMENSIONS SHOWN ARE MAXIMUM UNLESS OTHERWISE SPECIFIED.
  - ⚠ CABLE RANGE: 11.43-13.97 [.450-.550] OUTSIDE DIAMETER.
  - ⚠ CABLE RANGE: 13.97-17.78 [.550-.700] OUTSIDE DIAMETER.
  - ⚠ WIRE SIZE: 22 AWG SOLID OR 7-STRANDED COPPER CONDUCTORS. INSULATION DIAMETER OF 1.14-1.22 [.045-.056] IS ACCEPTABLE FOR MOST APPLICATIONS.

OBSELETE	BROWN	F	7	6	5406049-2
	BLUE	B	3	5	5406049-1
	DOT COLOR				PART NUMBER

THIS DRAWING IS A CONTROLLED DOCUMENT.		DM S. MCMASTER 070E005	Tyco Electronics Corporation Harrisburg, PA 17105-3608	
DIMENSIONS: mm [INCHES]		CM W. MILLIMETERS 070E005	NAME PLUG ASSEMBLY, 64 POSITION, SHIELDED, CHAMP	
TOLERANCES UNLESS OTHERWISE SPECIFIED:		APD W. MILLIMETERS 070E005	PRODUCT SPEC	
0 PLG	± .005	APPLICATION SPEC		
1 PLG	± .005	SIZE		
2 PLG	± .005	CASE CODE		
3 PLG	± .005	DRAWING NO		
4 PLG	± .005	RESTRICTED TO		
ANGLES	± .005	A2 00779 C=5406049		
MATERIAL	2	WEIGHT		
FINISH	2	CUSTOMER DRAWING		
		SCALE		2:1
		SHEET		1 of 1
		REV		D

AMP 1471-9 REV 31MMR2000

5406049

A