

4

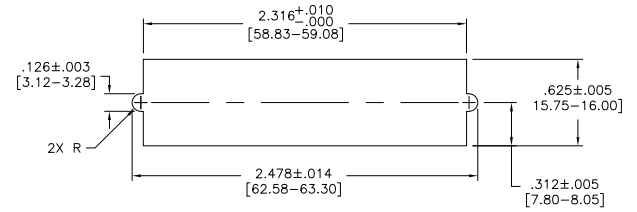
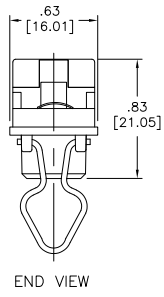
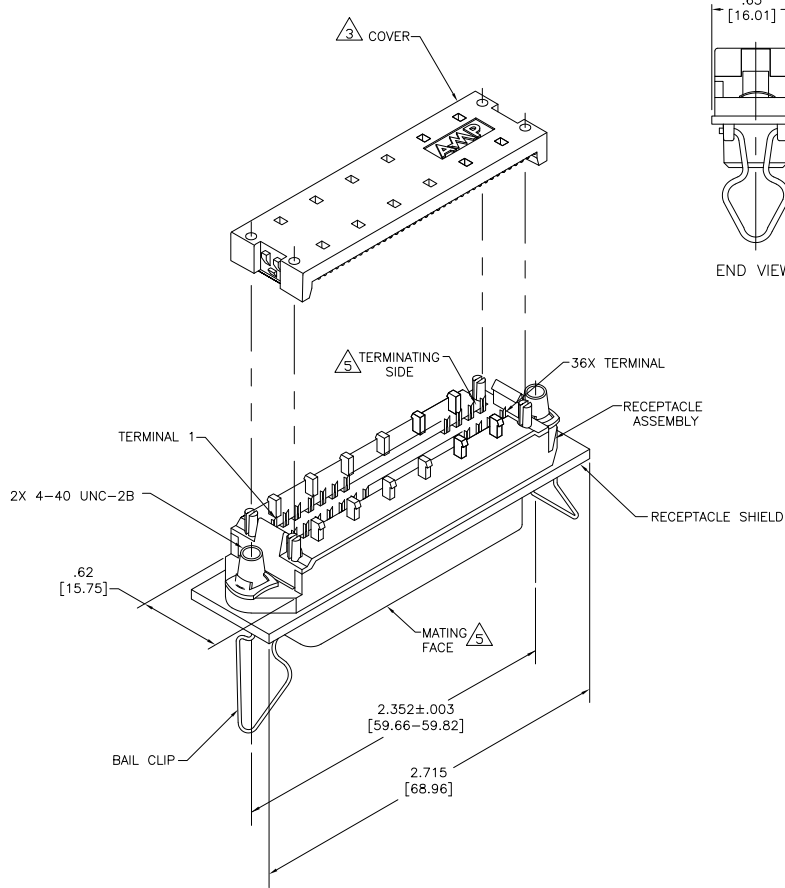
3

2

1

THIS DRAWING IS UNPUBLISHED. RELEASED FOR PUBLICATION
 © COPYRIGHT BY TYCO ELECTRONICS CORPORATION. ALL RIGHTS RESERVED.

LOC	DIST	REVISIONS					
GP	00	P	LTR	DESCRIPTION	DATE	BY	APPD
		B		REVISED PER ECO-08-007327	17APR08	BM	WM



1. THE CONTACT SURFACES OF THE TERMINALS ARE COATED WITH LUBRICANT.
2. MATERIAL:
HOUSING & COVER: PLYPHENYLENE OXIDE (BLACK).
TERMINALS: PHOS BRONZE PLATED WITH EITHER .000030 [0.76µm] MINIMUM GOLD PLATE OR GOLD FLASH OVER PALLADIUM NICKEL PLATE, .000030 [0.76µm] MIN TOTAL ON MATING SURFACE. GOLD FLASH PLATED ON TERMINATING SIDE. .000050 [1.27µm] MINIMUM NICKEL UNDERPLATE OVER ENTIRE TERMINAL.
SHIELD: NICKEL PLATED DIE CASTING.
BAIL CLIPS: PASSIVATED STAINLESS STEEL.
HARDWARE: ZINC PLATED SPRING STEEL.
3. COVER SHOWN LOOSE BUT SHIPPED ASSEMBLED.
4. WIRE RANGE: 26 AWG SOLID THRU 30 AWG SOLID AND 28 AWG STRANDED RIBBON CABLE.
5. MATING FACE CONSISTS OF TWO ROWS OF TERMINALS ON .085 CENTERS. TERMINATING SIDE CONSISTS OF TERMINALS ON .100 CENTERS FOR AN EFFECTIVE .050 TERMINATION.
6. PANEL THICKNESS RANGE: .062 MAX.
7. FOR MORE INFORMATION REFER TO AMP PRODUCT SPEC 108-6076 & APPLICATION SPEC 114-6030.
8. ALL DIMENSIONS SHOWN ARE MAXIMUM UNLESS OTHERWISE SPECIFIED.

6 SUGGESTED REAR PANEL MOUNTING CUTOUT DIMENSIONS

5555983-1
PART NUMBER

THIS DRAWING IS A CONTROLLED DOCUMENT.		DR. S. MCMASTER 260CT05	Tyco Electronics Corporation Harrisburg, PA 17105-3608	
DIMENSIONS: INCHES (mm)		CR. W. MILLIMETERS 260CT05	NAME	
TOLERANCES UNLESS OTHERWISE SPECIFIED:		APP. W. MILLIMETERS 260CT05	PRODUCT SPEC	
Ø	PLC ±	APPLICATION SPEC	SIZE	CAGE CODE
Ø	PLC ±	WEIGHT	A2	00779
Ø	PLC ±	FINISH	C-5555983	
Ø	PLC ±	RESTRICTED TO	-	
Ø	PLC ±	CUSTOMER DRAWING	SCALE	2:1
Ø	PLC ±		SHEET	1 of 1
Ø	PLC ±		REV	B

AMP 1471-9 REV 31MM2000