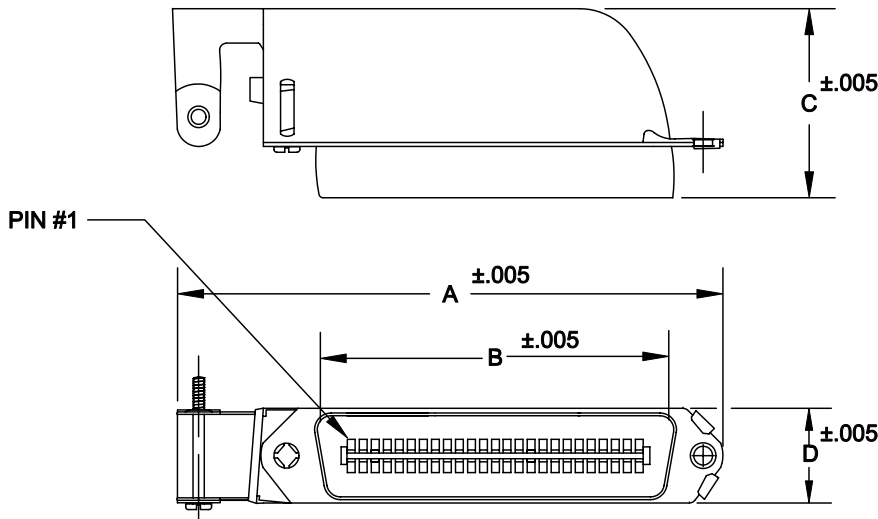


DESCRIPTION: SCSI 1 MALE RIGHT ANGLE CONNECTOR/BACKSHELL KIT

	A	B	C	D
36	DISCONTINUED			
50	3.780	2.538	1.325	.646
	96.00	64.47	33.65	16.40



KIT INCLUDES:
SOLDER CUP CONNECTOR
BACKSHELL/HARDWARE

112-XXX-103L011

SERIES _____
POSITIONS _____
050 _____
GENDER _____
1 = MALE _____
TERMINATION _____
0 = SOLDER CUP _____
SHELL PLATING _____
3 = NICKEL _____
HARDWARE OPTIONS _____
01 = PIN #1 AT CABLE ENTRY _____
PLATING OPTIONS _____
01 = GOLD FLASH _____


MATERIALS:

INSULATOR: GLASS-FILLED THERMOPLASTIC
UL RATED 94V-0
CONTACTS: COPPER ALLOY
SHELL: STEEL, NICKEL PLATED
CONTACT PLATING: GOLD PLATED
RoHS COMPLIANT

NOTE: PLEASE NOTE ORIENTATION OF CONNECTOR IN REGARDS TO CABLE ENTRY.

ELECTRICALS:

CONTACT CURRENT RATING: 5 AMPS
DIELECTRIC WITHSTANDING VOLTAGE: AC 1200 R.M.S.
INSULATION RESISTANCE: 1000 mohms MINIMUM AT 500V DC
CONTACT RESISTANCE: 30 mOHMS MAXIMUM
OPERATING TEMPERATURE: -55°C TO +125°C

 NorComp	THESE DRAWINGS AND SPECIFICATIONS ARE THE PROPERTY OF NorComp AND SHALL NOT BE REPRODUCED, COPIED OR USED AS THE BASIS FOR THE MANUFACTURE OF SALE OF APPARATUS WITHOUT WRITTEN PERMISSION.	DRAWN: WAYNE ROBBINS	DATE: 9-25-98
		CHECKED:	DATE:
	SCALE: 1:1	SHEET 1	OF 1
	DWG NO. 112-XXX-103L011		REV 3