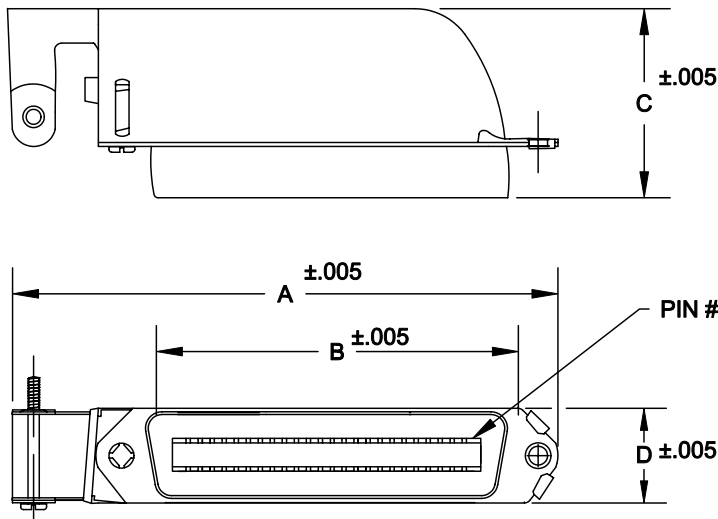


DESCRIPTION: SCSI 1 FEMALE RIGHT ANGLE CONNECTOR/BACKSHELL KIT



	A	B	C	D
36	DISCONTINUED			
50	3.780	2.538	1.325	.646
	96.00	64.47	33.65	16.40

KIT INCLUDES:  
SOLDER CUP CONNECTOR  
BACKSHELL/HARDWARE

112-XXX-203L021

SERIES \_\_\_\_\_  
POSITIONS \_\_\_\_\_  
050 \_\_\_\_\_  
GENDER \_\_\_\_\_  
2 = FEMALE \_\_\_\_\_  
TERMINATION \_\_\_\_\_  
0 = SOLDER CUP \_\_\_\_\_  
SHELL PLATING \_\_\_\_\_  
3 = NICKEL \_\_\_\_\_  
HARDWARE OPTIONS \_\_\_\_\_  
02 = PIN #1 OPPOSITE CABLE ENTRY \_\_\_\_\_  
PLATING OPTIONS \_\_\_\_\_  
1 = GOLD FLASH \_\_\_\_\_


**MATERIALS:**

INSULATOR: GLASS-FILLED THERMOPLASTIC  
UL RATED 94V-0  
CONTACTS: COPPER ALLOY  
SHELL: STEEL, NICKEL PLATED  
CONTACT PLATING: GOLD PLATED  
RoHS COMPLIANT

**ELECTRICALS:**

CONTACT CURRENT RATING: 5 AMPS  
DIELECTRIC WITHSTANDING VOLTAGE: AC 1200 R.M.S.  
INSULATION RESISTANCE: 1000 mohms MINIMUM AT 500V DC  
CONTACT RESISTANCE: 30 mOHMS MAXIMUM  
OPERATING TEMPERATURE: -55°C TO +125°C

NOTE: PLEASE NOTE ORIENTATION OF CONNECTOR IN REGARDS TO CABLE ENTRY.

  <h1>NorComp</h1>	THESE DRAWINGS AND SPECIFICATIONS ARE THE PROPERTY OF NorComp AND SHALL NOT BE REPRODUCED, COPIED OR USED AS THE BASIS FOR THE MANUFACTURE OF SALE OF APPARATUS WITHOUT WRITTEN PERMISSION.		DRAWN: <b>WAYNE ROBBINS</b>	DATE: <b>9-15-05</b>
			CHECKED:	DATE:
		SCALE: <b>1:1</b>	SHEET <b>1</b>	OF <b>1</b>
		DWG NO. <b>112-XXX-203L021</b>		
		REV <b>1</b>		