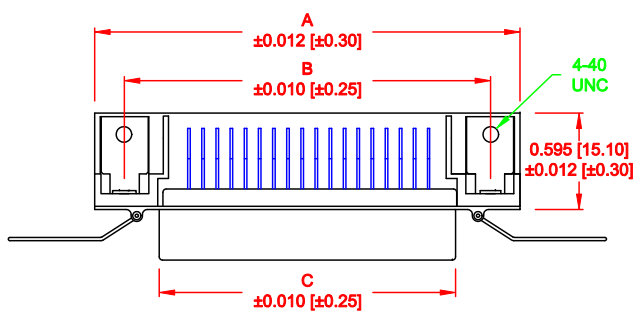


DESCRIPTION: .085" RIBBON FEMALE R/A BOARD MOUNT



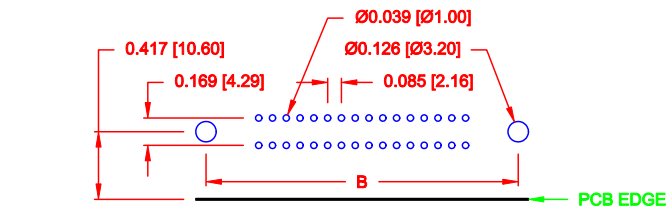
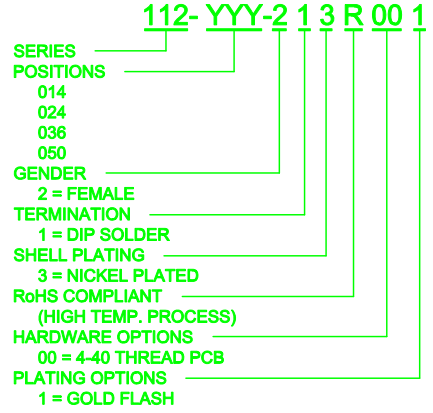
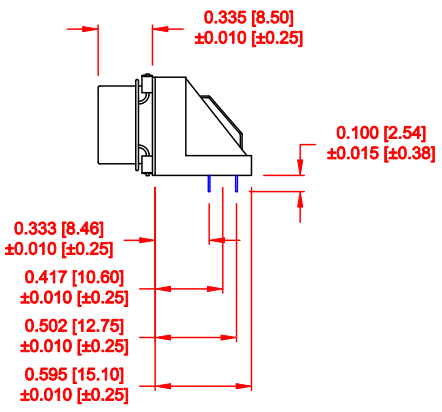
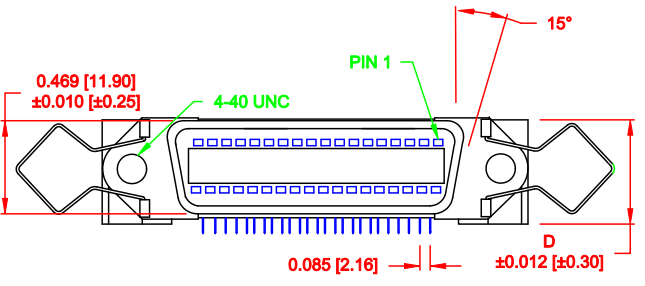
No. OF PINS	DIMENSIONS			
	A	B	C	D
14	1.728	1.417	0.992	0.602
24	43.90	36.00	25.20	15.30
36	2.154	1.843	1.417	0.600
50	54.70	46.80	36.00	15.25
	2.667	2.352	1.925	0.600
	67.75	59.74	48.90	15.25
	3.272	2.947	2.524	0.600
	83.10	74.85	64.10	15.25

MATERIAL:

COLD ROLLED STEEL,
NICKEL PLATED
PBT UL 94V-0 RATED
PHOSPHOR BRONZE OR BRASS,
GOLD FLASH

SPECIFICATION:


CURRENT RATING: 1 AMP
INSULATION RESISTANCE: 1,000 MegOhms min. AT 500VDC
WITHSTANDING VOLTAGE: 1,000VAC FOR 1 MINUTE
CONTACT RESISTANCE: 30 milliohms max.
OPERATING TEMPERATURE: -55° C TO 105° C
INSERTION FORCE: 25 Lb. max.
WITHDRAWAL FORCE: 2 Lb. min.



RECOMMENDED PCB LAYOUT

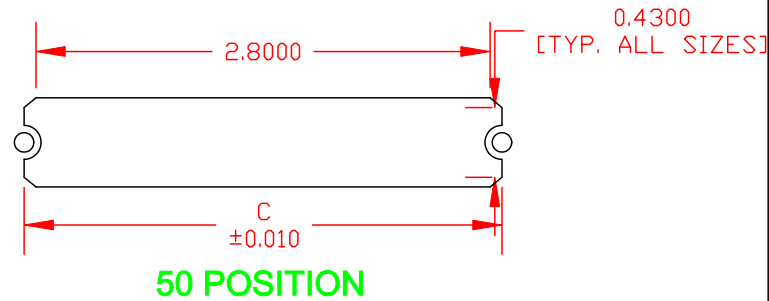
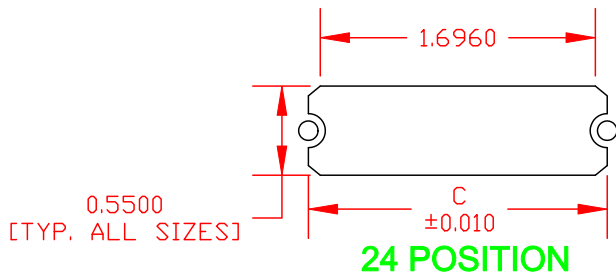
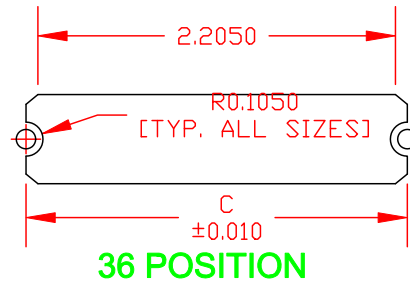
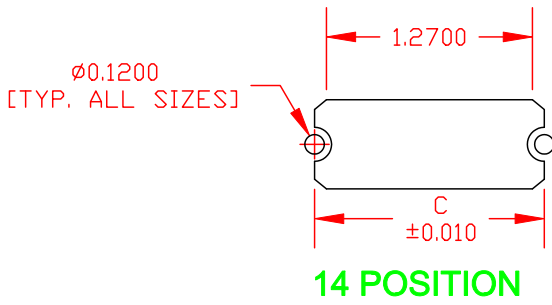
DO NOT SCALE FROM DRAWING

RoHS COMPLIANT

 <p>THESE DRAWINGS AND SPECIFICATIONS ARE THE PROPERTY OF NorComp AND SHALL NOT BE REPRODUCED, COPIED OR USED AS THE BASIS FOR THE MANUFACTURE OR SALE OF APPARATUS WITHOUT WRITTEN PERMISSION.</p>	DRAWN: WAYNE ROBBINS CHECKED:	DATE: 9-15-05 DATE:
	SCALE: 1:1 DWG NO.	SHEET 1 OF 2
<h1>NorComp</h1>		
112-YYY-213R001		

DESCRIPTION: 0.085 RIBBON - BOARD CUTOUT


	014	024	036	050
C	1.417	1.843	2.352	2.947
	36.00	46.80	59.74	74.85



NOTEDIMENSION "C" =
 CENTER TO CENTER OF MOUNTING HOLES
 CENTER OF RADI
 OVERALL LENGTH OF CUTOUT

DO NOT SCALE FROM DRAWING

RoHS COMPLIANT

	THESE DRAWINGS AND SPECIFICATIONS ARE THE PROPERTY OF NorComp AND SHALL NOT BE REPRODUCED, COPIED OR USED AS THE BASIS FOR THE MANUFACTURE OF SALE OF APPARATUS WITHOUT WRITTEN PERMISSION.		DRAWN: M. SIGMON	DATE: 01-14-11
			CHECKED:	DATE:
<h1>NorComp</h1>		SCALE: NONE	SHEET 2	OF 2
		DWG NO. 112-YYY-213R001		