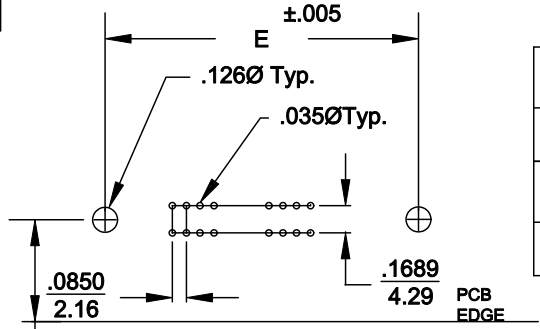
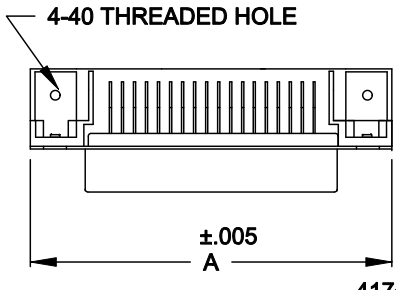
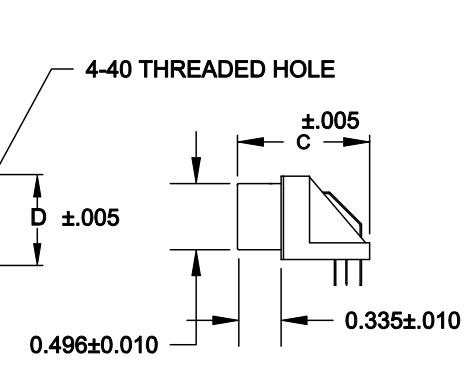
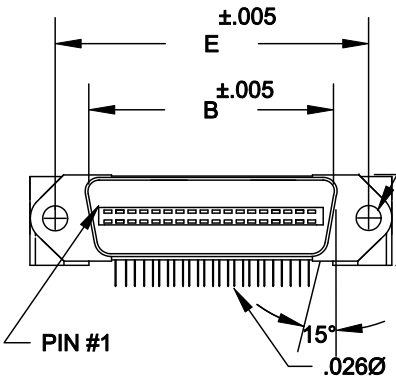


DESCRIPTION: .085" RIBBON R/A BOARD MOUNT



	A	B	C	D	E
14	1.720	1.008	.984	.618	1.417
24	43.70	25.60	25.00	15.70	35.99
36	2.146	1.436	.984	.618	1.843
50	54.50	36.47	25.00	15.70	46.79
	2.662	1.943	.984	.618	2.352
	67.60	49.35	25.00	15.70	59.74
	3.260	2.539	.984	.618	2.947
	82.80	64.47	25.00	15.70	74.85

RECOMMENDED PCB LAYOUT
SCALE = 2 : 1



112-YYY-113R001

SERIES _____

POSITIONS _____

014 _____

024 _____

036 _____

050 _____

GENDER _____

1 = MALE

TERMINATION _____

1 = DIP SOLDER

SHELL PLATING _____

3 = NICKEL

HARDWARE OPTIONS _____

00 = 4-40 THREAD (PCB)

PLATING OPTIONS _____


01 = GOLD FLASH

MATERIALS:

INSULATOR: GLASS-FILLED THERMOPLASTIC
UL RATED 94V-0
CONTACTS: COPPER ALLOY
RoHS COMPLIANT

ELECTRICALS:

CONTACT CURRENT RATING: 1 AMP
DIELECTRIC WITHSTANDING VOLTAGE: AC 1200 R.M.S.
INSULATION RESISTANCE: 1000 mohms MINIMUM AT 500V DC
CONTACT RESISTANCE: 30 mOHMS MAXIMUM
OPERATING TEMPERATURE: -55°C TO +125°C

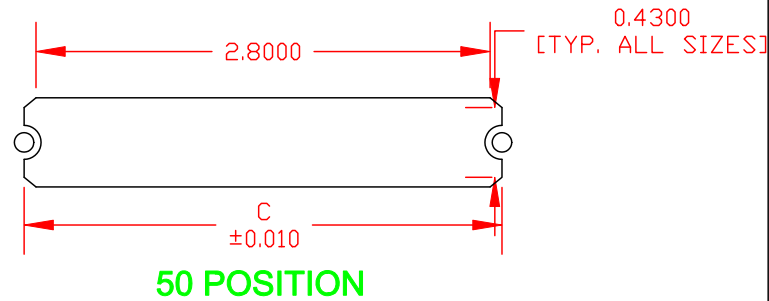
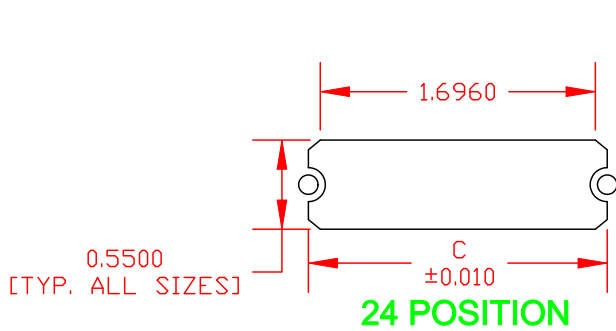
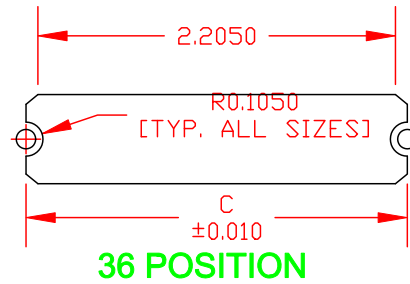
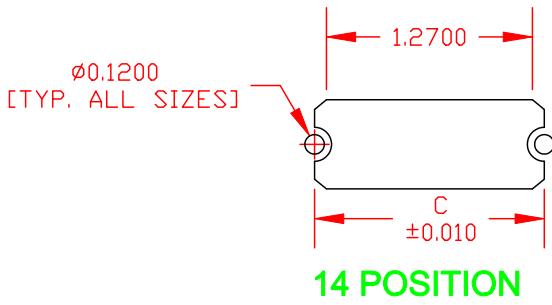
	THESE DRAWINGS AND SPECIFICATIONS ARE THE PROPERTY OF NorComp AND SHALL NOT BE REPRODUCED, COPIED OR USED AS THE BASIS FOR THE MANUFACTURE OF SALE OF APPARATUS WITHOUT WRITTEN PERMISSION.	DRAWN: WAYNE ROBBINS DATE: 7-12-05
	CHECKED:	DATE:
	SCALE: 1:1 DWG NO.	SHEET 1 OF 2 REV 3

NorComp

112-YYY-113R001

DESCRIPTION: 0.085 RIBBON - BOARD CUTOUT


	014	024	036	050
C	1.417	1.843	2.352	2.947
	36.00	46.80	59.74	74.85



NOTEDIMENSION "C" =
 CENTER TO CENTER OF MOUNTING HOLES
 CENTER OF RADI
 OVERALL LENGTH OF CUTOUT

DO NOT SCALE FROM DRAWING

RoHS COMPLIANT

	THESE DRAWINGS AND SPECIFICATIONS ARE THE PROPERTY OF NorComp AND SHALL NOT BE REPRODUCED, COPIED OR USED AS THE BASIS FOR THE MANUFACTURE OF SALE OF APPARATUS WITHOUT WRITTEN PERMISSION.		DRAWN: M. SIGMON	DATE: 01-14-11
			CHECKED:	DATE:
<h1>NorComp</h1>		SCALE: NONE	SHEET 2	OF 2
		DWG NO. 112-YYY-113R001		