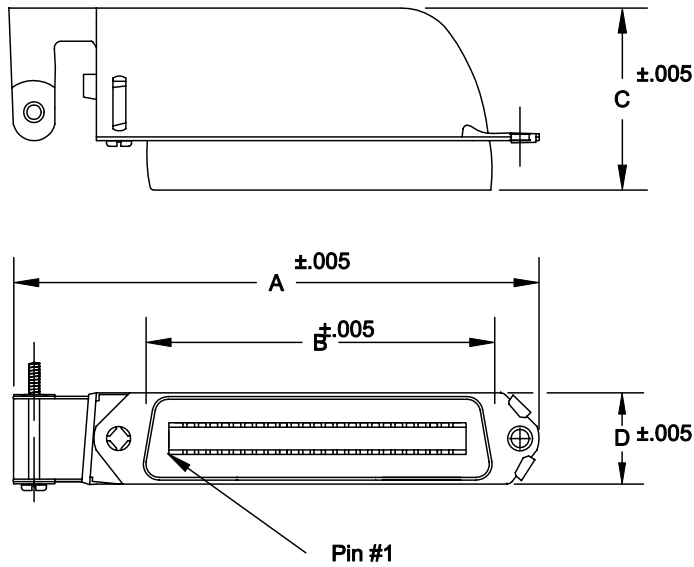


DESCRIPTION: SCS1 1 FEMALE RIGHT ANGLE CONNECTOR/BACKSHELL KIT



	A	B	C	D
36	DISCONTINUED			
50	3.780	2.538	1.325	.646
	96.00	64.47	33.65	16.40

KIT INCLUDES:
SOLDER CUP CONNECTOR
BACKSHELL/HARDWARE

112-XXX-203-011

SERIES _____
POSITIONS _____
050 _____
GENDER _____
2 = FEMALE _____
TERMINATION _____
0 = SOLDER CUP _____
SHELL PLATING _____
3 = NICKEL _____
HARDWARE OPTIONS _____
01 = PIN #1 AT CABLE ENTRY _____
PLATING OPTIONS _____
1 = GOLD FLASH _____

MATERIALS:

INSULATOR: GLASS-FILLED THERMOPLASTIC

UL RATED 94V-0

CONTACTS: COPPER ALLOY

SHELL: STEEL, NICKEL PLATED

CONTACT PLATING:

GOLD PLATED

ELECTRICALS:

CONTACT CURRENT RATING: 5 AMPS



DIELECTRIC WITHSTANDING VOLTAGE: AC 1200 R.M.S.

INSULATION RESISTANCE: 1000 mohms MINIMUM AT 500V DC

CONTACT RESISTANCE: 30 mOHMS MAXIMUM

OPERATING TEMPERATURE: -55°C TO +125°C

NOTE: PLEASE NOTE ORIENTATION OF CONNECTOR IN REGARDS TO CABLE ENTRY.

	THESE DRAWINGS AND SPECIFICATIONS ARE THE PROPERTY OF NorComp AND SHALL NOT BE REPRODUCED, COPIED OR USED AS THE BASIS FOR THE MANUFACTURE OF SALE OF APPARATUS WITHOUT WRITTEN PERMISSION.		DRAWN: WAYNE ROBBINS	DATE: 9-25-98	
			CHECKED:	DATE:	
		SCALE:	SHEET	OF	REV
		1:1	1	1	5
		DWG NO. 112-XXX-203-011			