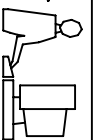
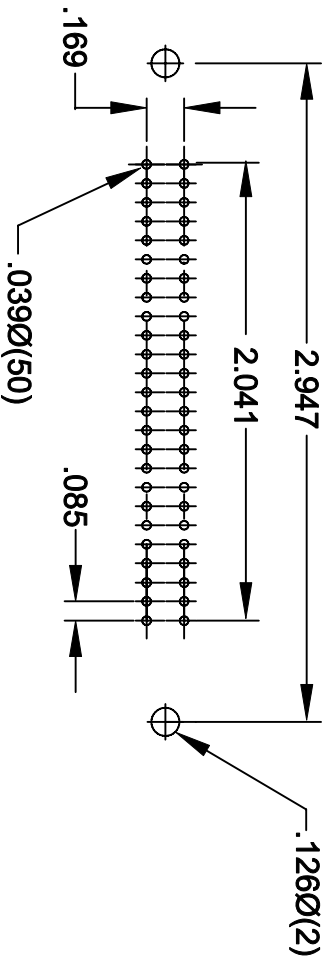
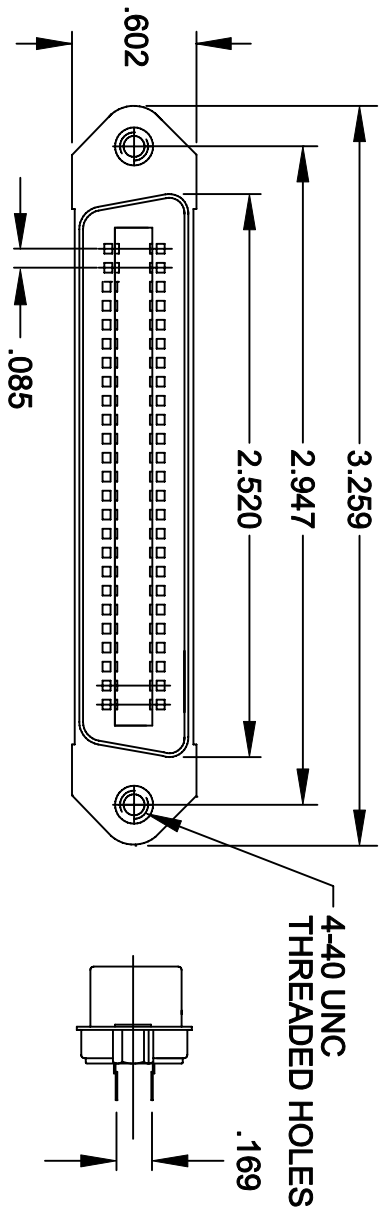
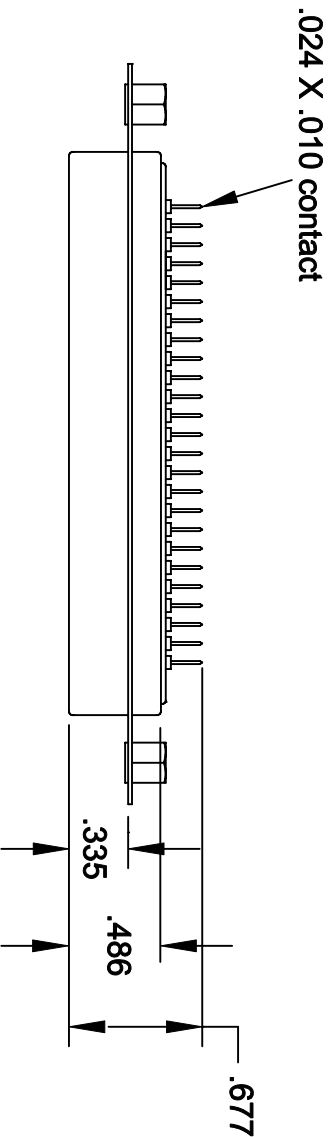


THIS IS A C.A.D. GENERATED DRAWING
DO NOT MAKE MANUAL REVISIONS TO MASTER.



ISSUE NUMBER	
①	ORIGINAL
②	4-40 UNC THREADED RIVETS ADDED AND COLOR ADDED
③	F.BRIDGES AUG.24/04
④	LEAD REMOVED FROM TIN PLATING, REF. ROHS ADDED, R.BLAKEY FEB.2/06



MATERIALS:

INSULATOR: GLASS-FILLED THERMOPLASTIC
UL RATED 94V-0, COLOR BLUE
CONTACTS: COPPER ALLOY
GOLD PLATED ON CONTACT AREA
TIN ON TAIL OVER NICKEL

SHELL : STEEL NICKEL PLATED

ELECTRICALS:

CONTACT CURRENT RATING: 5 AMPS
DIELECTRIC WITHSTANDING VOLTAGE:
AC 1200 R.M.S.
INSULATION RESISTANCE: 1000 mohms
MIN. AT 500V DC
CONTACT RESISTANCE: 30 MOHMS MAXIMUM
OPERATING TEMPERATURE: -55°C TO +125°C

50 POSITION MINIATURE RIBBON RECEPTACLE



EDAC INC
TORONTO, ONTARIO
CANADA
YOUR CONNECTION TO QUALITY & SERVICE

THESE DRAWINGS AND SPECIFICATIONS
ARE THE PROPERTY OF EDAC INC. AND
SHALL NOT BE REPRODUCED OR COPIED
OR USED AS THE BASIS FOR THE
MANUFACTURE OR SALE OF APPARATUS
WITHOUT WRITTEN PERMISSION.

ACAD REFERENCE NO. B57-050-221-202

DRAWN: F.JAWDI DATE: APR.12,2001

CHECKED: DATE:

SCALE: IN C.A.D. 1:1 SHEET 1 OF 1

DRAWING NUMBER

B57-050-221-202

ISSUE
3



THIS SERIES FULLY CONFORMS TO THE
EUROPEAN UNION DIRECTIVES 2002/95/EC
AND 2002/96/EC FOR ROHS COMPLIANCY.