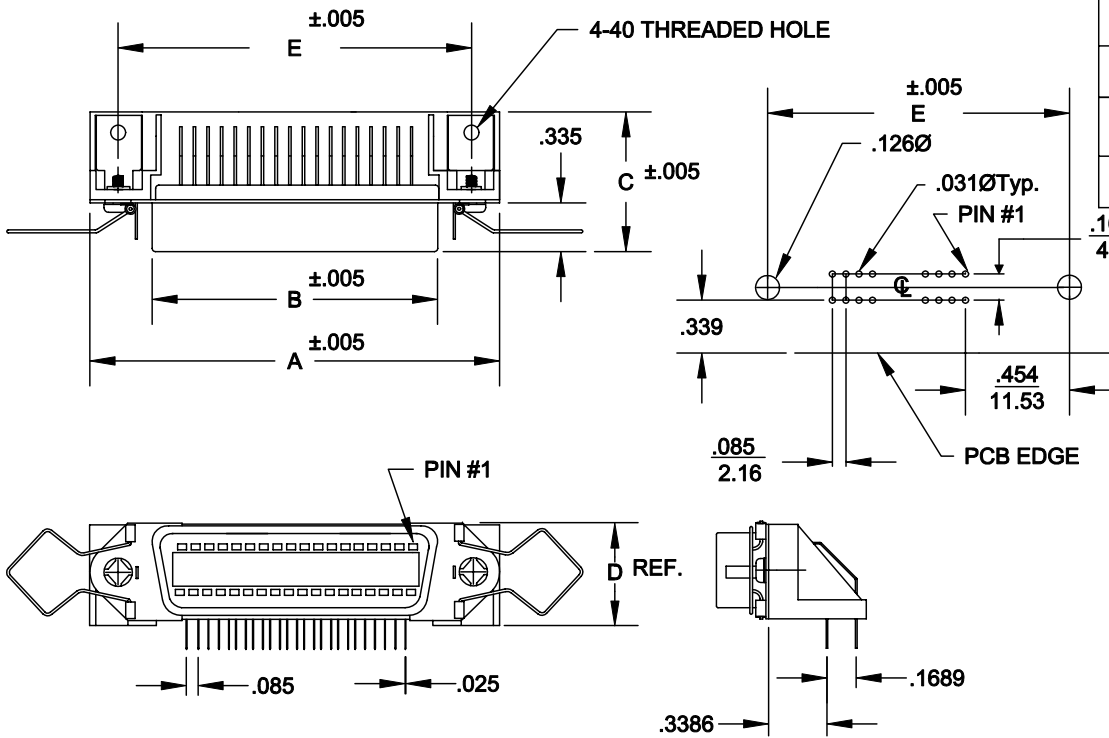


DESCRIPTION: .085" RIBBON FEMALE R/A BOARD MOUNT



	A	B	C	D	E
14	1.721	1.992	.969	.610	1.417
	43.70	25.20	24.60	15.50	35.99
24	2.146	1.417	.969	.610	1.842
	54.50	36.00	24.60	15.50	46.79
36	2.662	1.925	.969	.610	2.352
	67.60	48.90	24.60	15.50	59.74
50	3.260	2.520	.969	.610	2.947
	82.80	64.00	24.60	15.50	74.85

112-XXX-213-001

SERIES _____
 POSITIONS _____
 014
 024
 036
 050

GENDER _____
 2 = FEMALE

TERMINATION _____
 1 = DIP SOLDER


SHELL PLATING _____
 3 = NICKEL

HARDWARE OPTIONS _____
 00 = 4-40 THREAD PCB

PLATING OPTIONS _____
 01 = GOLD FLASH

MATERIALS:
 SHELL: STEEL, ZINC PLATED
 INSULATOR: GLASSFILLED THERMOPLASTIC - UL RATED 94V-0
 CONTACTS: PHOSPHOR BRONZE - GOLD FLASH PLATING

ELECTRICALS:
 CONTACT CURRENT RATING: 5 AMPS
 DIELECTRIC STRENGTH: 100V FOR ONE MINUTE
 INSULATION RESISTANCE: 1000 MOHMS MINIMUM AT 500V DC
 OPERATING TEMPERATURE: -55°C TO +105°C

 NorComp	THESE DRAWINGS AND SPECIFICATIONS ARE THE PROPERTY OF NorComp AND SHALL NOT BE REPRODUCED, COPIED OR USED AS THE BASIS FOR THE MANUFACTURE OF SALE OF APPARATUS WITHOUT WRITTEN PERMISSION.	DRAWN: WAYNE ROBBINS	DATE: 9-21-98	
	CHECKED:	DATE:	SCALE: 1:1	SHEET 1 OF 1
		DWG NO. 112-XXX-213-001		