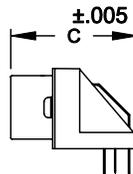
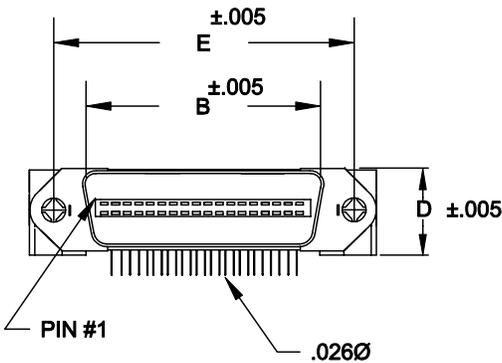
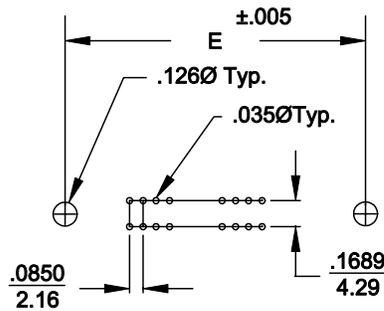
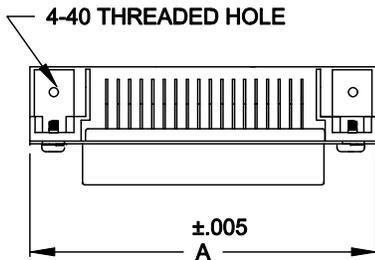


DESCRIPTION: .085" RIBBON R/A BOARD MOUNT

A B C D E

14	1.720	1.008	.984	.618	1.417
	43.70	25.60	25.00	15.70	35.99
24	2.146	1.436	.984	.618	1.843
	54.50	36.47	25.00	15.70	46.79
36	2.662	1.943	.984	.618	2.352
	67.60	49.35	25.00	15.70	59.74
50	3.260	2.539	.984	.618	2.947
	82.80	64.47	25.00	15.70	74.85



112-XXX-113-001

SERIES \_\_\_\_\_

POSITIONS \_\_\_\_\_

014 \_\_\_\_\_

024 \_\_\_\_\_

036 \_\_\_\_\_

050 \_\_\_\_\_

GENDER \_\_\_\_\_

1 = MALE

TERMINATION \_\_\_\_\_

1 = DIP SOLDER

SHELL PLATING \_\_\_\_\_

3 = NICKEL

HARDWARE OPTIONS \_\_\_\_\_

00 = 4-40 THREAD (PCB)

PLATING OPTIONS \_\_\_\_\_

01 = GOLD FLASH

**MATERIALS:**

INSULATOR: GLASS-FILLED THERMOPLASTIC  
 UL RATED 94V-0  
 CONTACTS: COPPER ALLOY  
 ELECTRICALS:  
 CONTACT CURRENT RATING: 5 AMPS  
 DIELECTRIC WITHSTANDING VOLTAGE: AC 1200 R.M.S.  
 INSULATION RESISTANCE: 1000 mohms MINIMUM AT 500V DC  
 CONTACT RESISTANCE: 30 mOHMS MAXIMUM  
 OPERATING TEMPERATURE: -55°C TO +125°C

 <b>NorComp</b>	THESE DRAWINGS AND SPECIFICATIONS ARE THE PROPERTY OF NorComp AND SHALL NOT BE REPRODUCED, COPIED OR USED AS THE BASIS FOR THE MANUFACTURE OF SALE OF APPARATUS WITHOUT WRITTEN PERMISSION.	DRAWN: <b>WAYNE ROBBINS</b>	DATE: <b>9-21-98</b>	
	CHECKED:	DATE:	SCALE: 1:1	SHEET 1 OF 1
DWG NO.		112-XXX-113-001		