

4

3

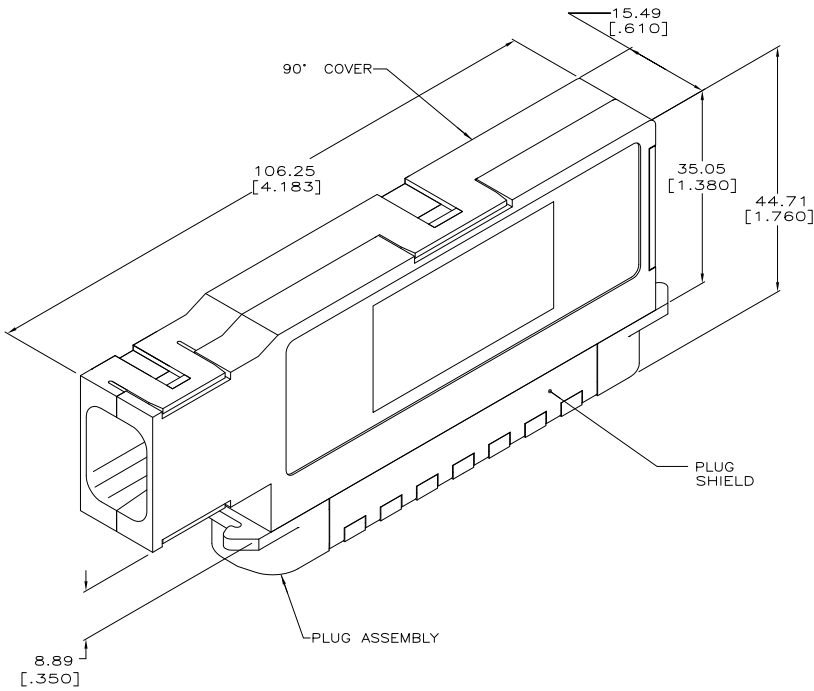
2

1

THIS DRAWING IS UNPUBLISHED. RELEASED FOR PUBLICATION. BY TYCO ELECTRONICS CORPORATION. ALL RIGHTS RESERVED.

LOC	DIST	REVISIONS				
GP	00	F LWR	DESCRIPTION	DATE	BY	APPD
		C	REVISED PER ECO-08-007327	02OCT08	BM	WM
		C1	REVISED PER ECO-09-024927	10NOV09	KK	AEG

- THIS ASSEMBLY SHOWN ASSEMBLED BUT SHIPPED UNASSEMBLED.
- MATERIAL: HOUSING - POLYPHENYLENE OXIDE, BLACK. SHIELDS - CARBON STEEL PLATED WITH 5.1µm [0.000200] MINIMUM NICKEL. COVERS - ABS MOLDING COMPOUND, PLATED WITH 0.51µm [0.000200] MINIMUM ELECTROLYTIC NICKEL OVER 5.1µm [0.000200] MINIMUM ELECTROLYTIC COPPER OVER 0.25µm [0.000100] MINIMUM ELECTROLESS NICKEL. TERMINAL - PHOSPHOROUS BRONZE PLATED WITH 0.76µm [0.000300] MIN GOLD OR GOLD FLASH OVER PALLADIUM NICKEL PLATE, 0.76µm [0.000300] MIN TOTAL ON MATING SURFACE. 1.27µm [0.000050] MIN NICKEL UNDERPLATE OVER ENTIRE TERMINAL.
- WIRE SIZE: 24-26 AWG SOLID OR 24 AWG 7-STRANDED COPPER CONDUCTORS. INSULATION DIAMETER 0.73-1.15 [0.29-.045] IS ACCEPTABLE FOR MOST APPLICATIONS.
- WIRE SIZE: 22 AWG SOLID OR 7-STRANDED COPPER CONDUCTORS. INSULATION DIAMETER 1.14-1.42 [0.45-.056] IS ACCEPTABLE FOR MOST APPLICATIONS.
- ALL DIMENSIONS SHOWN ARE MAXIMUM UNLESS OTHERWISE SPECIFIED.
- CABLE RANGE: 11.43-13.97 [4.50-.550] OUTSIDE DIAMETER.
- CABLE RANGE: 13.97-17.78 [5.50-.700] OUTSIDE DIAMETER.
- DIMENSIONS SHOWN IN [] ARE INCHES.
- KIT PACKAGED 1 PER POLYBAG.
- BULK PACKAGED 100 KITS PER BOX.
- WIRE SIZE: 24 AND 26 AWG SOLID OR STRANDED (7 STRANDS) COPPER CONDUCTORS. MAXIMUM INSULATION DIAMETER 1.32 [0.52] IS ACCEPTABLE FOR MOST APPLICATIONS.
- OBsolete PARTS: OBsolete CIS STREAMLINING PER D.RENAUD/D.SINISI



OBsolete	Color	Slot Size	Part Number
A2	WHITE	K	5556624-4
A2	BLUE	B	5556624-3
A2	BROWN	F	5556624-2
A2	BLUE	B	5556624-1

THIS DRAWING IS A CONTROLLED DOCUMENT.		DMC S. MCMASTER 070E005	Tyco Electronics Corporation Harrisburg, PA 17105-3608
DIMENSIONS: mm [INCHES]	TOLERANCES UNLESS OTHERWISE SPECIFIED	W MILLIMETERS 070E005	NAME PLUG ASSEMBLY KIT, 64 POSITION, 90 DEGREE EXIT, SHIELDED, CHAMP
0 PLG ± .005	1 PLG ± .005	APPL W MILLIMETERS 070E005	SIZE CASE CODE DRAWING NO A2 00779 C=5556624
2 PLG ± .005	3 PLG ± .005	APPL SPEC	RESTRICTED TO
4 PLG ± .005	ANGLES ± .005	WEIGHT	CUSTOMER DRAWING
MATERIAL	FINISH	SCALE	SHEET 1 of 1 REV C1

AMP 1471-9 REV 31MMR2000

5556624

A