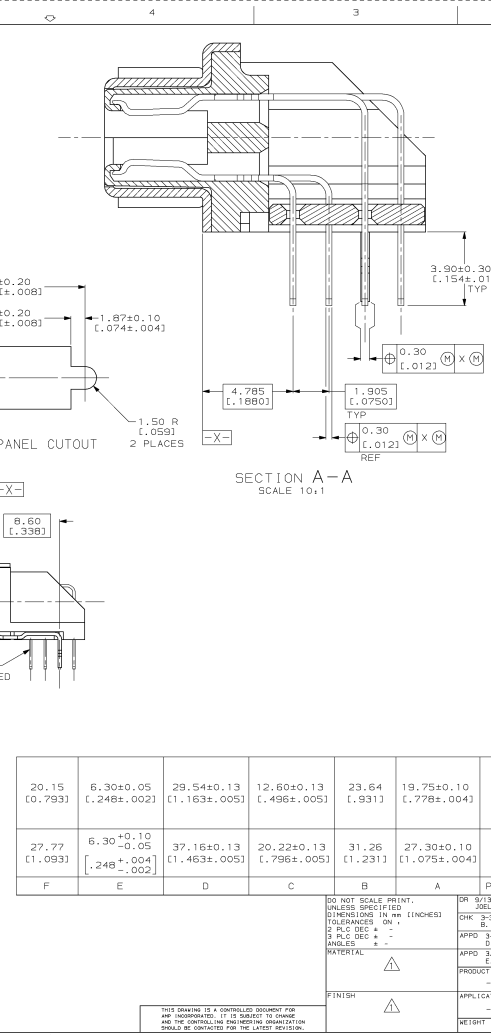
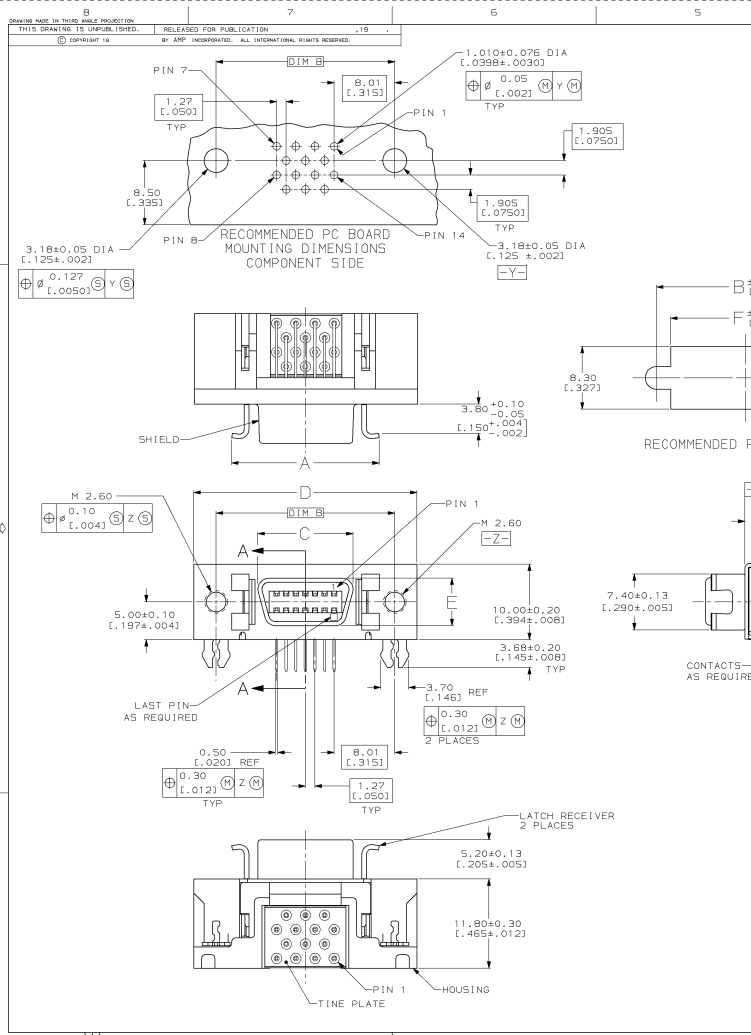


DRAWING MADE IN THIS WHOLE PROTECTION
THIS DRAWING IS UNCLASSIFIED
© Copyright 1984
RELEASED FOR PUBLICATION
BY AMP INCORPORATED. ALL INTERNATIONAL RIGHTS RESERVED.



REV	DATE	DESCRIPTION	BY	APP
B	REV. EC 014-9026-92 & 0210-47-93	2/25/93	JIS	
B1	REV PER EC 0020-562-93	09/19/93	JIS	
C	REV PER EC 0020-1517-93	03/17/94	TS	
D	SUPSD -S PER EC 0020-496-94	06/19/94	TS	
E	REV PER EC 0020-1441-94	01/17/96	ME	
F	REV PER EC 0020-0281-95	04/17/96	DB	
G	OBS -2, -4, & -5 PER EC 0020-0787-95	04/18/96	JIS	
H	OBS -1 PER EC 0410-174-96	10/08/97	DB	
J	REV PER EC 0410-305-97	01/08/97	DB	

MATERIALS:
HOUSING AND TINE PLATE - GLASS FILLED LCP, BLACK.
CONTACTS - 0.3175(.0125) THICK PHOSPHOR BRONZE, PLATED ALL OVER WITH NICKEL. SEE TABLE FOR MINIMUM THICKNESS. GOLD PLATE IN CONTACT AREA SEE TABLE FOR MINIMUM THICKNESS, AND TIN-LEAD PLATED 3.81µm (.000150) MINIMUM THICK ON SOLDER TINES.
SHIELD - 0.46 (.018) THICK CARBON STEEL PLATED 5.08µm (.000200) MINIMUM NICKEL OVER 0.64µm (.000025) MINIMUM COPPER.
LATCH RECEIVER - STAINLESS STEEL 0.635 (.025) THICK.

2. 14 POSITION SHOWN.
PACKAGED 19 PER TUBE.
OBSOLETE PART NUMBER.

21-AUG-97 13:30:54 0000568 /home/ssrv0264/ssi04/depct4033/comp05588/etmod

F	E	D	C	B	A	POSITION	GOLD PLATING	NICKEL PLATING	PART NO
20.15 (0.793)	6.30±0.05 (.248±.002)	29.54±0.13 (1.163±.005)	12.60±0.13 (.496±.005)	23.64 (.931)	19.75±0.10 (.778±.004)	14	0.76µm (.000030)	1.27µm (.000050)	557153-5A
							1.27µm (.000030)	2.45µm (.000095)	557153-4A
							1.27µm (.000030)	1.27µm (.000050)	557153-3
27.77 (1.093)	6.30±0.10 (.248±.004)	37.16±0.13 (1.463±.005)	20.22±0.13 (.796±.005)	31.26 (1.231)	27.30±0.10 (1.075±.004)	26	1.27µm (.000030)	2.45µm (.000095)	557153-2A
							0.76µm (.000030)	1.27µm (.000050)	557153-1A

DO NOT SCALE PRINT. UNLESS SPECIFIED DIMENSIONS IN mm (INCHES) FRACTIONS ON 2 PL DEC 3 PL DEC INCHES

DR 9/13/91
SEL HAROLD WOOTEN
CHK 3-3-92
S. FOX
APPD 3-3-92
D. MULLA
NAME
AMP Incorporated
Horshurst, PA 17105-3608

MATERIAL
FINISH

APPLICATION SPEC
WEIGHT

RECEPTACLE ASSEMBLY, RIGHT ANGLE, SHIELDED, CHAMP™ .050, SERIES 11
CAGE CODE 00779
DRAWING NO. 557153
SCALE 4:1
SHEET 1 OF 1
CUSTOMER DRAWING