

4

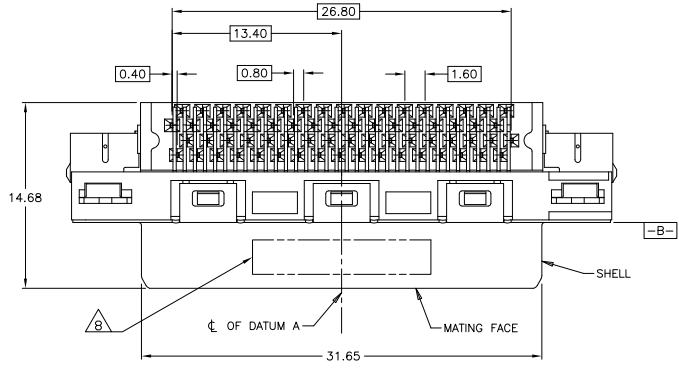
3

2

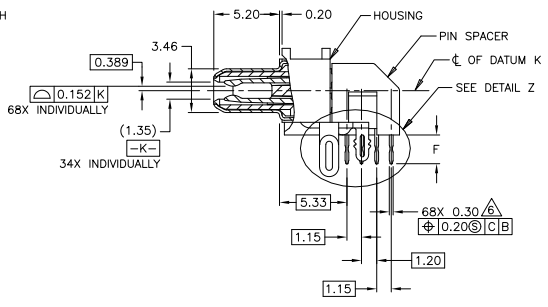
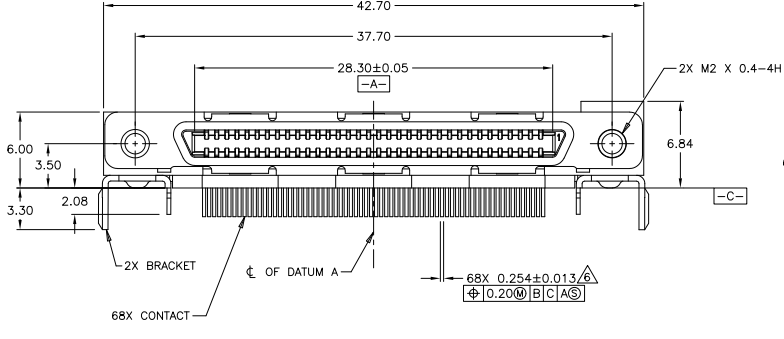
1

THIS DRAWING IS UNPUBLISHED. RELEASED FOR PUBLICATION. ALL RIGHTS RESERVED.

LOC	DIST	REVISIONS		
F	LNK	DESCRIPTION	DATE	BY
GP	00			
	B1	REVISED PER ECO-11-004835	11MAR11	RK HMR



- △ HOUSING & PIN SPACER: THERMOPLASTIC, BLACK, UL 94V-0 RATED.
SHELL: CARBON STEEL.
CONTACTS: PHOSPHOR BRONZE.
BRACKETS: STEEL.
- △ SHELL: 5.08µm MIN NICKEL OVER 2.54µm MIN COPPER.
CONTACTS: 0.76µm MIN GOLD ON MATING END, 3.75µm MIN TIN ON SOLDER TAILS, BOTH OVER 1.27µm MIN NICKEL ON ENTIRE CONTACT.
BRACKETS: TIN PLATED.
- △ CONTACTS DESIGNED FOR USE ON 1.60±0.15 THICK PC BOARD WITH PLATED THRU MOUNTING HOLES.
- △ RECEPTACLE ASSEMBLY DESIGNED FOR USE WITH 1.12±0.08 THICK PANEL.
- △ DATUMS AND DIMENSIONS ESTABLISHED BY CUSTOMER.
- △ POSITION TOLERANCE APPLIES AT CONTACT TIP ONLY.
- △ CONTACTS DESIGNED FOR USE ON 2.35±0.15 THICK PC BOARD WITH PLATED THRU MOUNTING HOLES.
- △ DATE CODE MARKED IN APPROXIMATE AREA SHOWN.



△	3.55	5796055-2
△	2.27	5796055-1
REMARKS	F	PART NUMBER

THIS DRAWING IS A CONTROLLED DOCUMENT.

DESIGNER	J. GERACE	31JAN05
CHECKER	S. SHUEY	31JAN05
DATE	108-1471	
APPLICATION SPEC	114-6057	
WEIGHT		

TE TE Connectivity

RECEPTACLE ASSEMBLY, RIGHT ANGLE,
68 POS, SHIELDED, CHAMP 0.8mm

SIZE: A2 CASE CODE: C=5796055 DRAWING NO: 00779

CUSTOMER DRAWING SCALE: 5:1 SHEET: 1 of 2 REV: B1

4

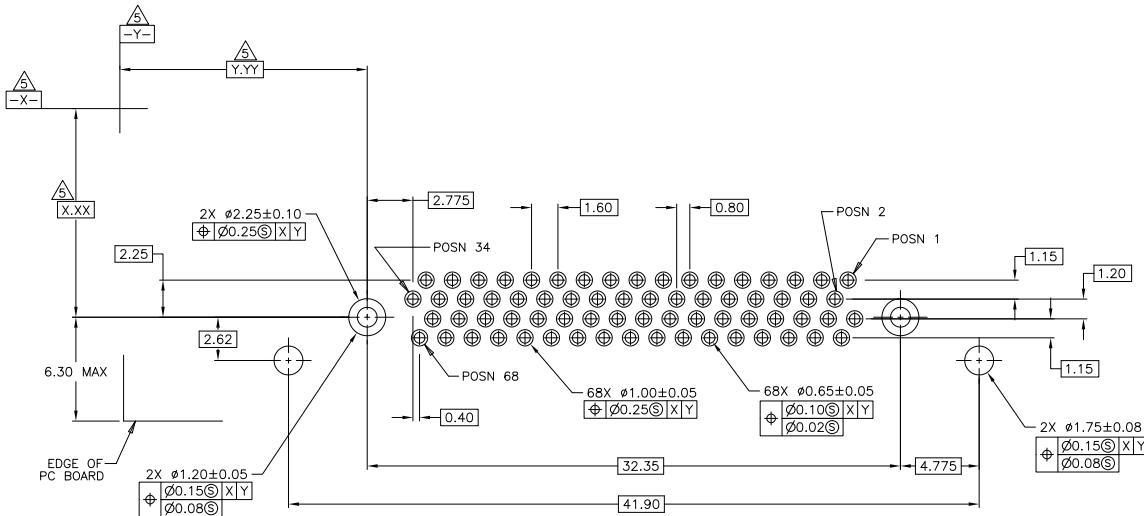
3

2

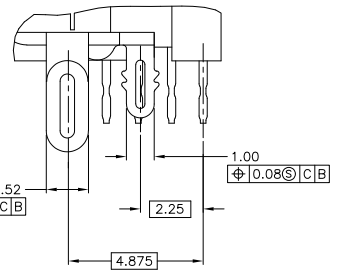
1

THIS DRAWING IS UNPUBLISHED. RELEASED FOR PUBLICATION. ALL RIGHTS RESERVED.

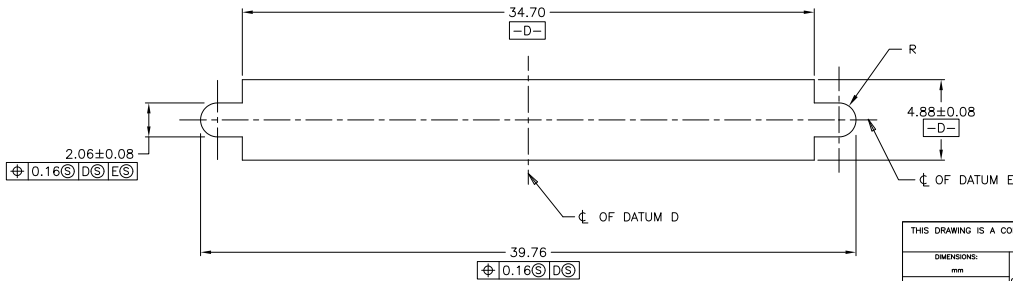
LOC	DIST	REVISIONS					
GP	00	F	LR	DESCRIPTION	DATE	BY	APPD
		-	-	SEE SHEET 1	-	-	-



PC BOARD MOUNTING DIMENSIONS



DETAIL Z
SCALE 10:1



PANEL CUT-OUT DIMENSIONS

THIS DRAWING IS A CONTROLLED DOCUMENT.		DN	J. GERACE	31JAN05		TE Connectivity						
		CHK	S. SHUEY	31JAN05								
		APPD	M. WALMSLEY	31JAN05	RECEPTACLE ASSEMBLY, RIGHT ANGLE, 68 POS, SHIELDED, CHAMP 0.8mm							
		APPLICATION SPEC:			SIZE	CAGE CODE	DRAWING NO.	RESTRICTED TO				
		MATERIAL:			A2	00779	C=5796055	-				
		FINISH:			CUSTOMER DRAWING		SCALE	6:1	SHEET	2 of 2	REV	B1