

4

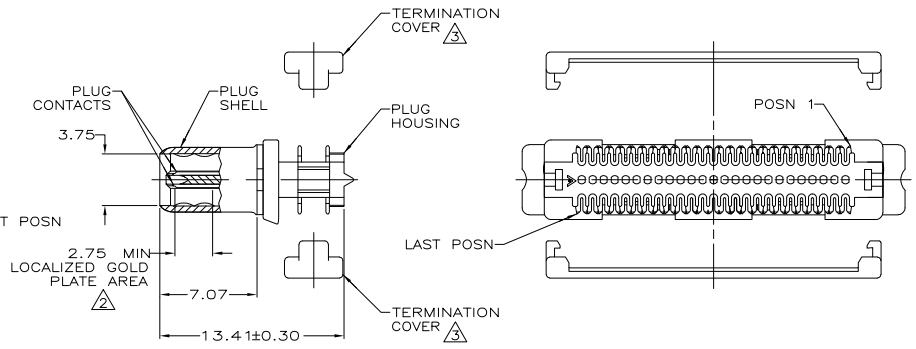
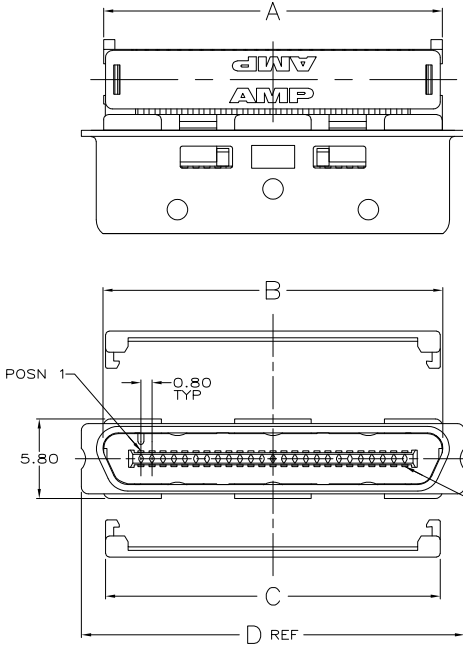
3

2

1

THIS DRAWING IS UNPUBLISHED. RELEASED FOR PUBLICATION
 © COPYRIGHT BY TYCO ELECTRONICS CORPORATION. ALL RIGHTS RESERVED.

LOC		DIBT		REVISIONS			
F	LR	DATE	BY	APP'D	DESCRIPTION	DATE	BY
	F2				REVISED PER ECO-06-028894	21MAR07	JDP/SAS



- ▲ MATERIAL:
 - PLUG CONTACTS - PHOSPHOR BRONZE.
 - PLUG SHELL - STEEL.
 - PLUG HOUSING - UL 94V-0 RATED LCP, COLOR: NATURAL.
 - TERMINATION COVERS - ABS/POLYCARBONATE ALLOY MOLDING COMPOUND, COLOR: BLACK.
- ▲ PLATING:
 - PLUG CONTACTS - 0.76µm MINIMUM GOLD PLATE IN LOCALIZED GOLD PLATE AREA, 1.27µm MINIMUM BRIGHT TIN-LEAD PLATE IN TERMINATION AREA, ALL OVER 1.27µm MINIMUM NICKEL.
 - PLUG SHELL - 5.08µm MINIMUM NICKEL OVER 1.27µm MINIMUM COPPER.
- ▲ TERMINATION COVERS ARE PACKAGED SEPARATELY.
- 4. RECOMMENDED WIRE: 30 AWG WITH A 0.56-0.64 INSULATION DIAMETER, WIRE MUST BE APPROVED BY AMP ENGINEERING.
- ▲ PLATING:
 - PLUG CONTACTS - 0.76µm MINIMUM GOLD PLATE IN LOCALIZED GOLD PLATE AREA, 1.27µm MINIMUM BRIGHT TIN PLATE IN TERMINATION AREA, ALL OVER 1.27µm MINIMUM NICKEL.
 - PLUG SHELL - 5.08µm MINIMUM NICKEL OVER 1.27µm MINIMUM COPPER.

SUPERSEDE BY: 5787131-2	▲	22.28	18.77	19.15	19.05	36	787131-5
SUPERSEDE BY: 5787131-1	▲	27.88	24.37	24.75	24.65	50	787131-4
	▲	35.08	31.57	31.95	31.85	68	787131-3
OBSOLETE	▲	22.28	18.77	19.15	19.05	36	787131-2
	▲	27.88	24.37	24.75	24.65	50	787131-1
FINISH		D	C	B	A	POSN	PART NUMBER

THIS DRAWING IS A CONTROLLED DOCUMENT.

DIMENSIONS: mm	DESIGNED BY: T. SHUEY	DATE: 108-1471	BY: M. WALMSLEY
0 P.L.C. ± .01	CHECKED BY: J. GERACE	PRODUCT SPEC: 108-1471	DATE: 108-1471
1 P.L.C. ± .015	APPROVED BY: M. WALMSLEY	APPLICATION SPEC: -	WEIGHT: -
2 P.L.C. ± .02	DATE: 108-1471	SIZE: A2	CAGE CODE: 00779
3 P.L.C. ± .03	DATE: 108-1471	DRAWING NO: C=787131	SCALE: 5:1
4 P.L.C. ± .04	DATE: 108-1471	SHEET: 1 of 1	REV: F2

MATERIAL: SEE TABLE

CUSTOMER DRAWING

TYCO Electronics Tyco Electronics Corporation Harrisburg, PA 17105-3608

PLUG KIT, CABLE CONNECTOR, CHAMP 0.8mm

AMP 1471-9 REV 31MM2000

787131

A