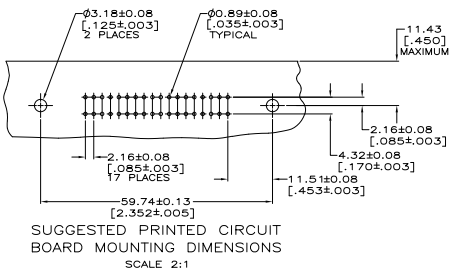
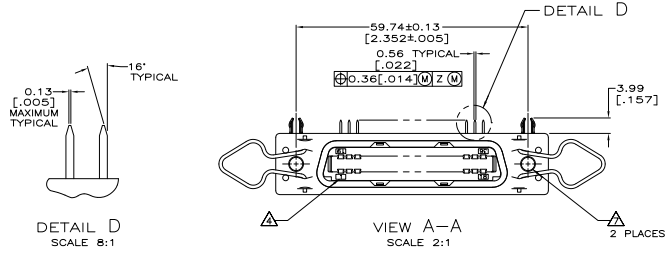
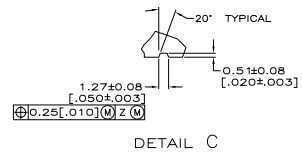
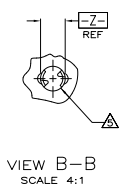
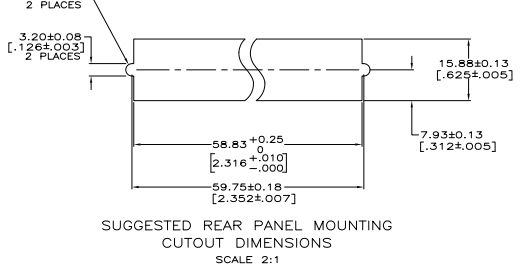
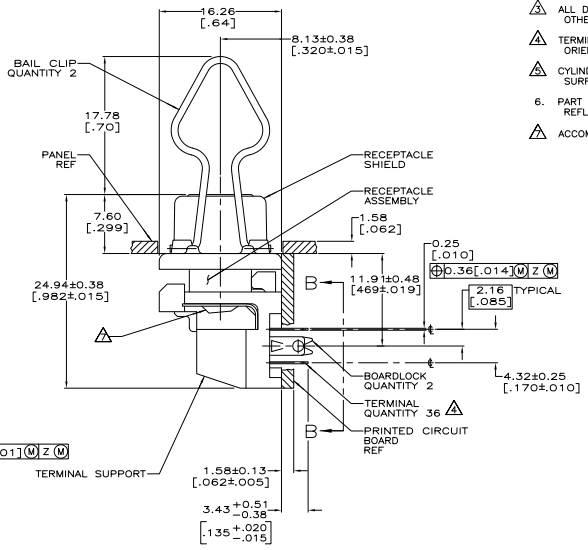
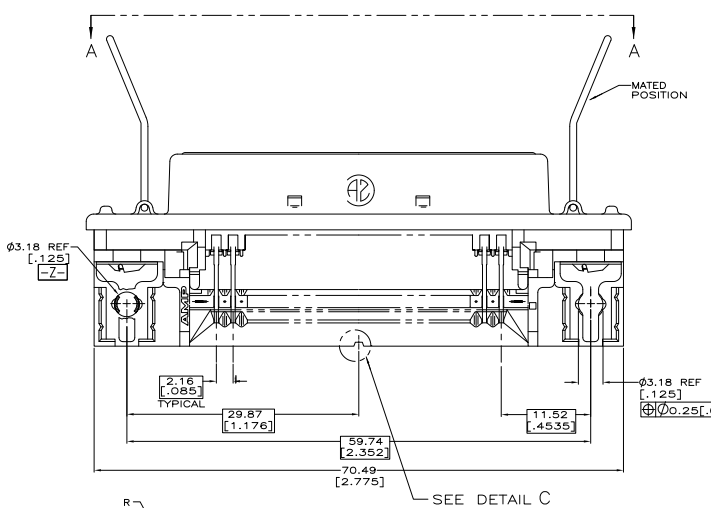


REV	DATE	DESCRIPTION	BY	CHK	APP
GP 00					
B		REVISED FOR ECO-08-00737			



- △ MATERIAL:
 TERMINAL SUPPORT - 94 V-0 HTN, BLACK, OR EQUIVALENT.
 HOUSING - 94 V-0 HTN, BLACK, OR EQUIVALENT.
 BAIL CLIPS - PASSTAINED STAINLESS STEEL.
 RECEPTACLE SHIELD - BRIGHT NICKEL OVER CARBON STEEL.
 TERMINALS - HIGH STRENGTH COPPER ALLOY PLATED WITH EITHER 0.76µm [Ø.00030] MIN GOLD PLATE OR GOLD FLASH OVER PALLADIUM NICKEL PLATE, 0.76µm [Ø.00030] MIN TOTAL ON MATING SURFACE, 3.05µm [Ø.00120] MIN TIN PLATE ON TAILS. ALL OVER 1.27µm [Ø.00050] MIN NICKEL UNDERPLATE OVER ENTIRE TERMINAL.
 BOARDLOCK - TIN PLATED CARBON STEEL.
- 2. THE CONTACT SURFACES OF THE TERMINALS ARE COATED WITH LUBRICANT.
- △ ALL DIMENSIONS SHOWN ARE MAXIMUM UNLESS OTHERWISE SPECIFIED.
- △ TERMINAL 1 LOCATED IN THIS ROW FOR STANDARD ORIENTATION.
- △ CYLINDRICAL SHAPE OFFERS 180° OF SOLDERING SURFACE.
- 6. PART WILL WITHSTAND INFRARED AND VAPOR PHASE REFLOW TEMPERATURE FOR 90 SECONDS.
- △ ACCOMMODATES #4-40 UNC-2A THREAD.



THIS DRAWING IS A CONTROLLED DOCUMENT.		REVISED BY	DATE	REVISION
APPROVED BY	DATE	APPROVED BY	DATE	REVISION
DESIGNED BY	DATE	DESIGNED BY	DATE	REVISION
DRAWN BY	DATE	DRAWN BY	DATE	REVISION
CHECKED BY	DATE	CHECKED BY	DATE	REVISION
DATE	DATE	DATE	DATE	DATE
SIZE	DATE	DATE	DATE	DATE
REVISED BY	DATE	REVISED BY	DATE	REVISION
CUSTOMER DRAWING	DATE	CUSTOMER DRAWING	DATE	REVISION

5555520-2
 PART NUMBER

RCPT ASSY, SHIELDED,
 36 POSN, RIGHT ANGLE, WITH
 THREADED BOARDLOCK, CHAMP