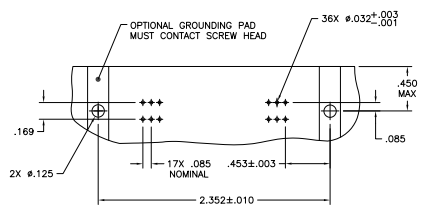
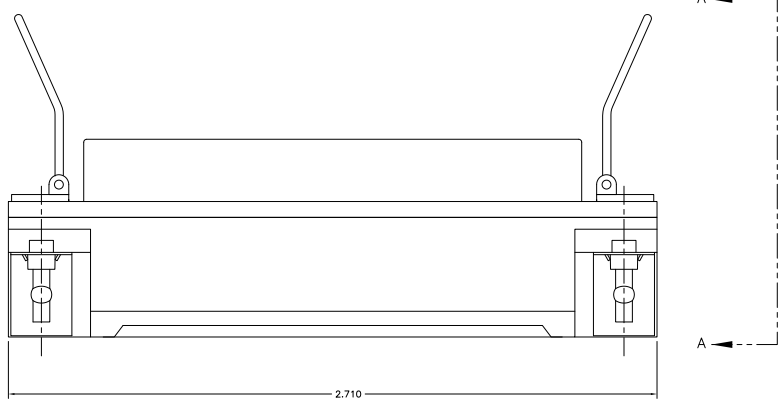


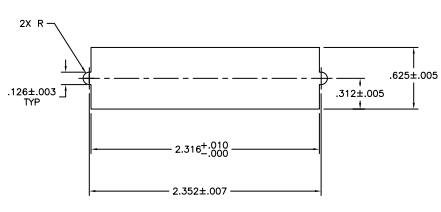
REV	DATE	DESCRIPTION	BY	CHK	APP
GP 00					
B		REVISED PER ECO-08-007327			



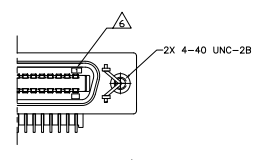
SUGGESTED PRINTED CIRCUIT BOARD MOUNTING DIMENSIONS



TOP VIEW

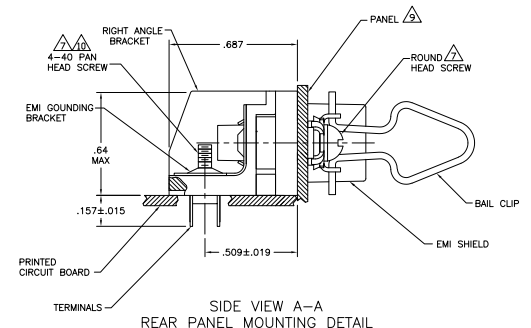


SUGGESTED REAR PANEL MOUNTING CUTOUT DIMENSIONS



DETAIL A STANDARD ORIENTATION

- MATERIAL:**  
 HOUSING, RIGHT ANGLE BRACKET, ADAPTER COMB & TERMINAL SUPPORT PLATE - THERMOPLASTIC (BLACK).  
 EMI SHIELD - BRIGHT NICKEL OVER COPPER PLATED DIE CASTING.  
 TERMINALS - HIGH STRENGTH COPPER ALLOY PLATED WITH EITHER .00030 MIN GOLD PLATE OR GOLD FLASH OVER PALLADIUM NICKEL PLATE. .00030 MIN TOTAL ON MATING SURFACE. .000120 MIN TIN PLATE ON TAILS. ALL OVER .00050 MIN NICKEL UNDERPLATE OVER ENTIRE TERMINAL.  
 BAIL CLIP - PASSIVATED STAINLESS STEEL.
- THE CONTACT SURFACES OF THE TERMINALS ARE COATED WITH LUBRICANT.
  - CENTER-TO-CENTER SPACING OF TERMINALS IS .085 NOMINAL.
- △ ALL DIMENSIONS SHOWN ARE MAXIMUM UNLESS OTHERWISE SPECIFIED.  
 △ DETAIL A IS VIEWED FROM MATING SIDE OF RECEPTACLE ASSEMBLY.  
 △ TERMINAL 1 IS LOCATED IN THIS ROW FOR STANDARD ORIENTATION.  
 △ SCREWS SHOWN FOR REFERENCE ONLY.  
 △ BAIL CLIPS & EMI SHIELD ARE ASSEMBLED TO CONNECTOR BEFORE SHIPMENT.  
 △ PANEL THICKNESS RANGE: .062 MAX.  
 △ STAINLESS STEEL SCREWS RECOMMENDED BECAUSE OF CONTACT WITH SOLDER BATH.



SIDE VIEW A-A REAR PANEL MOUNTING DETAIL SHOWN FOR REFERENCE ONLY SCALE 4:1

4-40 UNC-2B SHIELD HOLE SIZE	STANDARD ORIENTATION	A	5553815-3 PART NUMBER
THIS DRAWING IS A CONTROLLED DOCUMENT.			
DESIGNED BY: M. MCMILLISTER	DRAWN BY: M. MCMILLISTER	DATE: 08/08/08	REVISED BY: M. MCMILLISTER
RECEPTACLE ASSEMBLY EMI, 36 POSITION, BAIL LOCK (CHAMP PRINTED CIRCUIT BOARD, RIGHT ANGLE PANEL MOUNTING)			
SIZE: A1	DATE: 08/08/08	DRAWING NO: 100779	Q=5553815
CUSTOMER DRAWING			