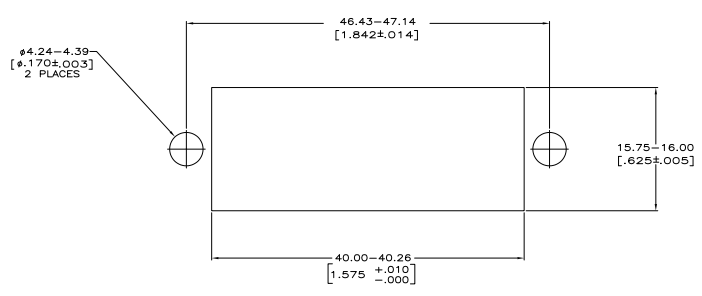
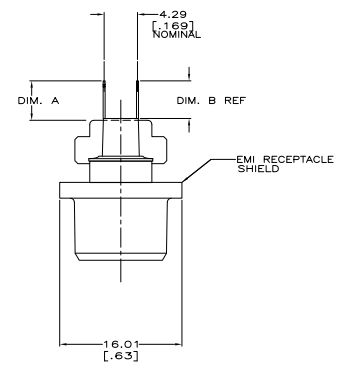
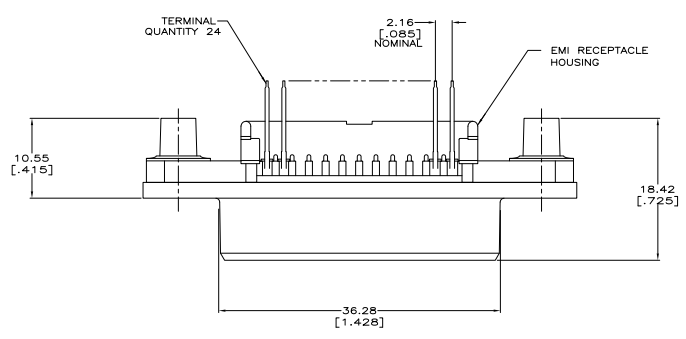
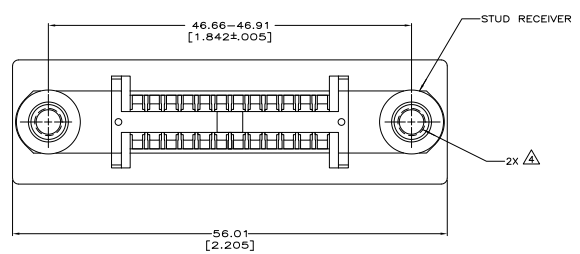


THIS DRAWING IS UNPUBLISHED
 ALL RIGHTS RESERVED
 © 2007 BY TTS ELECTRONICS CORPORATION

REV	DATE	DESCRIPTION	BY	CHK	APP
GP 00					
B	REVISED PER ECO-08-007327		23/AL/08	EM	WM
B1	REVISED PER ECO-10-00044		19/AN/10	KK	HMR



- △ ALL DIMENSIONS SHOWN ARE MAXIMUM UNLESS OTHERWISE SPECIFIED.
- 2. THE CONTACT SURFACES OF THE TERMINALS ARE COATED WITH LUBRICANT.
- △ MATERIAL: HOUSING - POLYESTER, BLACK
 TERMINAL - PHOS BRONZE PLATED WITH EITHER 0.76µm [0.00030] MINIMUM GOLD PLATE OR GOLD FLASH OVER
 PALLADIUM NICKEL PLATE, 0.76µm [0.00030] MINIMUM TOTAL ON MATING SURFACE, 3.05µm [0.00120] MINIMUM TIN PLATE ON TAILS OVER 1.27µm [0.00050] MINIMUM NICKEL UNDERPLATE OVER ENTIRE TERMINAL.
 STUD RECEIVER - STAINLESS STEEL
 SHIELD - NICKEL PLATED ZINC DIE CASTING.
- △ HOLES TO BE TAPPED AFTER PLATING.
- △ OBSOLETE PARTS: OBSOLETE CIS STREAMLINING PER D.RENAUD/D.SINISI

REV	DATE	DESCRIPTION	BY	CHK	APP
△ OBSOLETE	4-40 UNC-2B	3.05 [-.120]	3.81 [-.150]		5554501-3
	6-32 UNC-2B	4.70 [-.185]	5.47 [-.215]		5554501-2
	6-32 UNC-2B	3.05 [-.120]	3.81 [-.150]		5554501-1

THIS DRAWING IS A CONTROLLED DOCUMENT.

DESIGNED BY M. WILMSLEY	CHECKED BY M. WILMSLEY	DATE 10/20/07	REVISED BY M. WILMSLEY	DATE 10/20/07
DRAWN BY M. WILMSLEY		CUSTOMER DRAWING		

RECEPTACLE ASSEMBLY,
 24 POSITION, VERTICAL MOUNTING,
 SHIELDED, SCREEN LOCK, CHAMP-LOCK®

DATE 10/20/07 DRAWING NO. A100779 Q=5554501

TTS Electronics Corporation
 Harrisburg, PA 17105-3608

SIZE 4:1 SHEET 1 OF 1