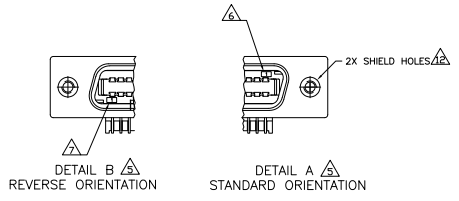
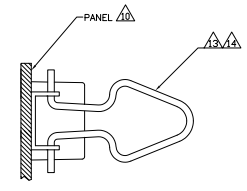
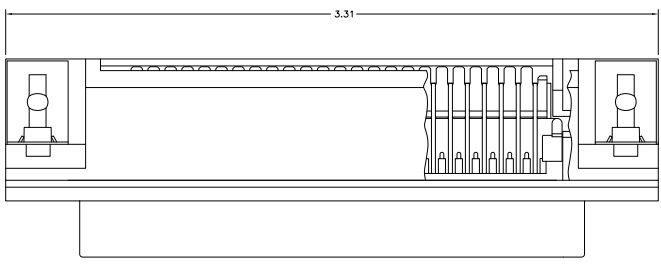


SUGGESTED PRINTED CIRCUIT BOARD MOUNTING DIMENSIONS

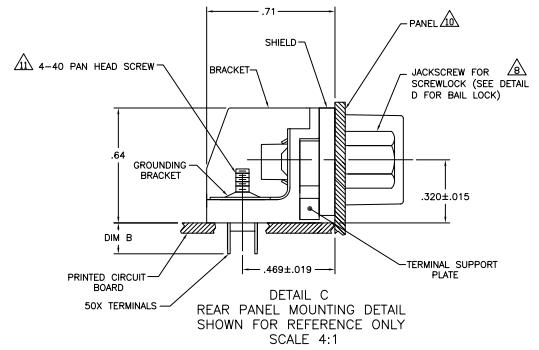


DETAIL B REVERSE ORIENTATION
 DETAIL A STANDARD ORIENTATION

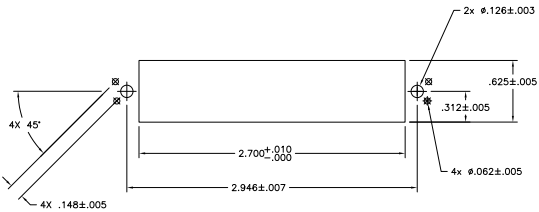


DETAIL D SAME AS DETAIL C EXCEPT FOR BAIL LOCK FEATURE (SCSI) SCALE 4:1

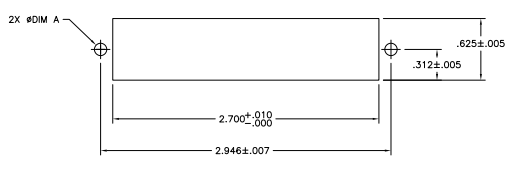
- △ MATERIAL:
 HOUSING, BRACKET, ADAPTER COMB AND TERMINAL SUPPORT PLATE: POLYESTER.
 MOLDING COMPOUND: UL94V-0 RATING, BLACK.
 SHIELD: BRIGHT NICKEL OVER COPPER, PLATED DIE CASTING.
 TERMINALS - HIGH STRENGTH COPPER ALLOY PLATED WITH EITHER .000030 MIN GOLD PLATE OR GOLD FLASH OVER PALLADIUM NICKEL PLATE, .000030 MIN TOTAL ON MATING SURFACE, .000120 MIN TIN PLATE ON TAILS. ALL OVER .000050 MIN NICKEL UNDERPLATE OVER ENTIRE TERMINAL.
- 2. THE CONTACT SURFACES OF THE TERMINALS ARE COATED WITH LUBRICANT.
- 3. CENTER-TO-CENTER SPACING OF TERMINALS IS .085 NOMINAL.
- 4. ALL DIMENSIONS SHOWN ARE MAXIMUM UNLESS OTHERWISE SPECIFIED.
- △ DETAILS A & B ARE VIEWED FROM MATING SIDE OF RECEPTACLE ASSEMBLY.
- △ TERMINAL 1 IS LOCATED IN THIS ROW FOR STANDARD ORIENTATION.
- △ TERMINAL 1 IS LOCATED IN THIS ROW FOR REVERSE ORIENTATION.
- △ SCREWS SHOWN FOR REFERENCE ONLY, RECOMMENDED HARDWARE KIT 5554272-1 FOR USE WITH PART NUMBER 5553813-3 & 4. WHEN SCREW LOCK FEATURE IS REQUIRED.
- 9. SHIELD IS ASSEMBLED TO CONNECTOR BEFORE SHIPMENT.
- △ PANEL THICKNESS RANGE: .062 MAX.
- △ STAINLESS STEEL SCREWS RECOMMENDED, BECAUSE OF CONTACT WITH SOLDER BATH.
- △ HOLES TO BE TAPPED AFTER PLATING.
- △ USE HARDWARE KIT 554818-2 FOR PART NUMBERS 5553813-3 & 4. WHEN BAIL LOCK FEATURE IS REQUIRED.
- △ THE BAIL LOCK FEATURE HAS APPLICATION FOR SMALL COMPUTER SYSTEMS INTERFACE (SCSI).



DETAIL C REAR PANEL MOUNTING DETAIL SHOWN FOR REFERENCE ONLY SCALE 4:1



SUGGESTED PANEL CUTOUT FOR BAIL LOCK FEATURE (SCSI)



SUGGESTED PANEL CUTOUT FOR SCREW LOCK FEATURE

.157±.015	.126±.003	4-40 UNC-2B	REVERSE	B	5553813-4
.157±.015	.126±.003	4-40 UNC-2B	STANDARD	A	5553813-3
DIM B	DIM A	SHIELD HOLE SIZE	ORIENTATION	DETAIL	PART NUMBER

THIS DRAWING IS A CONTROLLED DOCUMENT.		DESIGNED BY	CHECKED BY	DATE	SCALE
		M. MULLINSEY			2:1
		DATE	BY	REVISION	
				1	
		DATE	BY	REVISION	
				1	
		DATE	BY	REVISION	
				1	

RECEPTACLE ASSEMBLY, SHIELDED, 50 POSITION, BAIL LOCK, RIGHT ANGLE, WITH GROUND BRACKET, CHAMP

SEE SIZE 100779 (C)=5553813

CUSTOMER DRAWING