

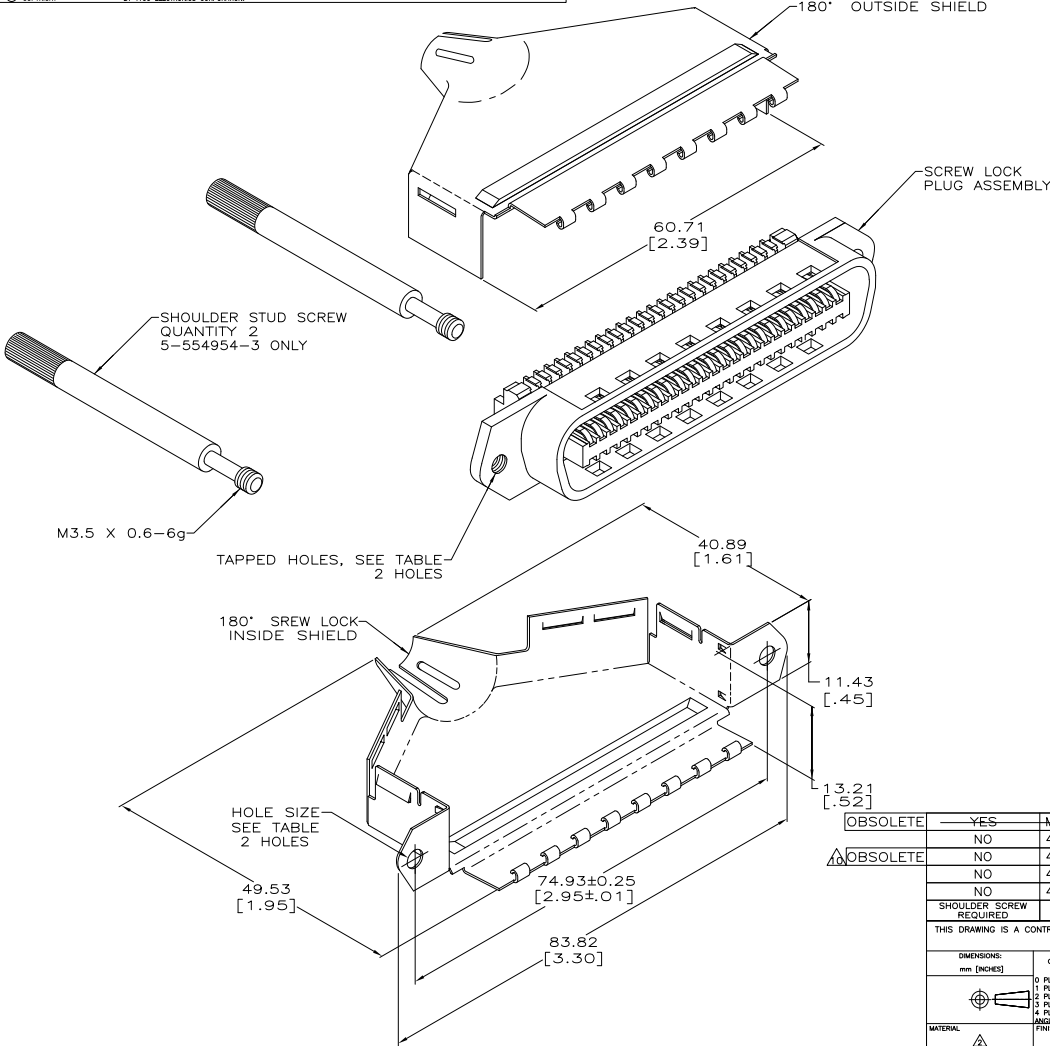
4

3

2

1

THIS DRAWING IS UNPUBLISHED. RELEASED FOR PUBLICATION.
 © COPYRIGHT BY TYCO ELECTRONICS CORPORATION. ALL RIGHTS RESERVED.



LOC	DIST	REVISIONS					
GP	00	F	LNK	DESCRIPTION	DATE	BY	APPD
		J		REVISED PER ECO-08-007327	05SEP08	BM	WM
		J1		REVISED PER ECO-09-021826	08JAN10	KK	AEG

1. THIS KIT SHIPPED NOT ASSEMBLED.

⚠ MATERIAL: SHIELDS - BRIGHT NICKEL PLATED CARBON STEEL.
 PLUG HOUSING - POLYPHENYLENE OXIDE, BLACK.
 TERMINAL - HIGH STRENGTH COPPER ALLOY PLATED WITH 0.76μm [.000030] MIN GOLD OR GOLD FLASH OVER PALLADIUM NICKEL PLATE, 0.76μm [.000030] MIN TOTAL ON MATING SURFACE. 1.27μm [.000050] MIN NICKEL UNDERPLATE OVER ENTIRE TERMINAL.

⚠ WIRE SIZE: 26-27-28 AWG 7 STRANDS OF COPPER CONDUCTORS. MAXIMUM INSULATION DIAMETER OF 1.14 [.045] IS ACCEPTABLE FOR MOST APPLICATIONS.

4. CABLE RANGE: Ø8.89-15.88 [.350-.625].

5. CENTER-TO-CENTER SPACING OF TERMINALS 2.16 [.085] NOMINAL.

⚠ WIRE SIZE: 24 OR 26 AWG SOLID OR 24 AWG 7 STRANDS OF COPPER CONDUCTORS. MAXIMUM INSULATION DIAMETER OF 1.14 [.045] IS ACCEPTABLE FOR MOST APPLICATIONS.

⚠ DIMENSIONS ARE MAXIMUM UNLESS OTHERWISE SPECIFIED.

⚠ PACKAGED 1 KIT PER POLYBAG.

⚠ BULK PACKAGED 500 KITS PER CONTAINER.

⚠ OBSOLETE PARTS: OBSOLETE CIS STREAMLINING PER D.RENAUD/D.SINISI

OBsolete	YES	M3.5x0.6-6G	3.56-3.81[-.140-.150]	⚠	E	⚠	5-554954-3				
	NO	4-40 UNC-2B	3.18-3.43[-.125-.135]	OBsolete	NO <th>4-40 UNC-2B <th>3.18-3.43[-.125-.135] <th>⚠</th> <th>B</th> <th>⚠</th> <th>5-554954-2</th> </th></th>	4-40 UNC-2B <th>3.18-3.43[-.125-.135] <th>⚠</th> <th>B</th> <th>⚠</th> <th>5-554954-2</th> </th>	3.18-3.43[-.125-.135] <th>⚠</th> <th>B</th> <th>⚠</th> <th>5-554954-2</th>	⚠	B	⚠	5-554954-2
	NO	4-40 UNC-2B	3.18-3.43[-.125-.135]	OBsolete	NO <th>4-40 UNC-2B <th>3.18-3.43[-.125-.135] <th>⚠</th> <th>E</th> <th>⚠</th> <th>5-554954-1</th> </th></th>	4-40 UNC-2B <th>3.18-3.43[-.125-.135] <th>⚠</th> <th>E</th> <th>⚠</th> <th>5-554954-1</th> </th>	3.18-3.43[-.125-.135] <th>⚠</th> <th>E</th> <th>⚠</th> <th>5-554954-1</th>	⚠	E	⚠	5-554954-1
	NO	4-40 UNC-2B	3.18-3.43[-.125-.135]	OBsolete	NO <th>4-40 UNC-2B <th>3.18-3.43[-.125-.135] <th>⚠</th> <th>B</th> <th>⚠</th> <th>554954-2</th> </th></th>	4-40 UNC-2B <th>3.18-3.43[-.125-.135] <th>⚠</th> <th>B</th> <th>⚠</th> <th>554954-2</th> </th>	3.18-3.43[-.125-.135] <th>⚠</th> <th>B</th> <th>⚠</th> <th>554954-2</th>	⚠	B	⚠	554954-2
	NO	4-40 UNC-2B	3.18-3.43[-.125-.135]	OBsolete	NO <th>4-40 UNC-2B <th>3.18-3.43[-.125-.135] <th>⚠</th> <th>E</th> <th>⚠</th> <th>554954-1</th> </th></th>	4-40 UNC-2B <th>3.18-3.43[-.125-.135] <th>⚠</th> <th>E</th> <th>⚠</th> <th>554954-1</th> </th>	3.18-3.43[-.125-.135] <th>⚠</th> <th>E</th> <th>⚠</th> <th>554954-1</th>	⚠	E	⚠	554954-1

SHOULDER SCREW REQUIRED	TAPPED	HOLE SIZE DIAMETER	PACKAGED	SLOT SIZE	WIRE SIZE	PART NUMBER

THIS DRAWING IS A CONTROLLED DOCUMENT.

DESIGNED BY	T. CANTY	DATE	11-APR-88
CHECKED BY	D. FOX	DATE	19-MAY-88
APPROVED BY	B. HUTCHENS	DATE	27-MAY-88

TYCO Electronics Corporation
 Harrisburg, PA 17105-3608

PLUG KIT, 50 POSITION, SCREW LOCK, WITH 4-40 HOLES, SHIELDED CHAMP

DIMENSIONS: mm [INCHES]	0 P.L.C. ± .05	1 P.L.C. ± .05	2 P.L.C. ± .05	3 P.L.C. ± .05	4 P.L.C. ± .05
TOLERANCES UNLESS OTHERWISE SPECIFIED:	± .05	± .05	± .05	± .05	± .05
FINISH	⚠				

APPLICATION SPEC: —
 WEIGHT: —
 SIZE: A2
 CASE CODE: 00779
 DRAWING NO: C=554954
 RESTRICTED TO: —
 CUSTOMER DRAWING
 SCALE: 2:1
 SHEET: 1 of 1
 REV: J1

AMP 1471-9 REV 31MM2000

554954

A