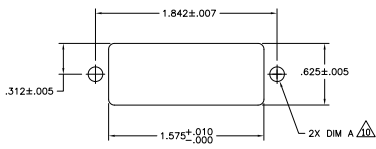
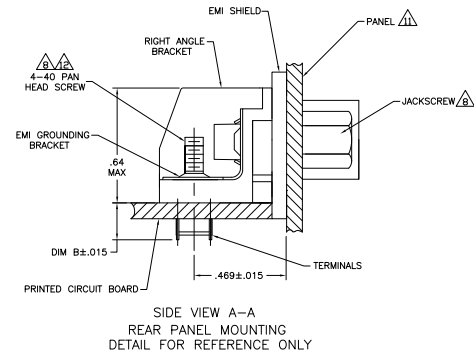
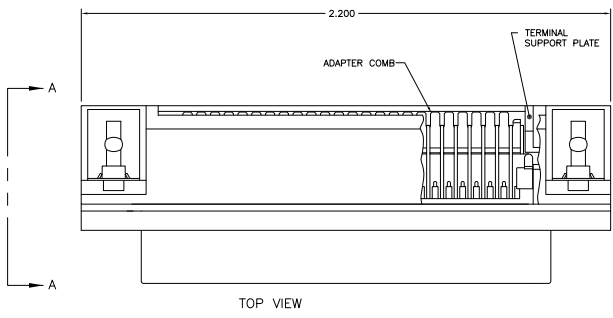


- △ MATERIAL:
 HOUSING, RIGHT ANGLE BRACKET, ADAPTER COMB AND SUPPORT PLATE - THERMOPLASTIC, BLACK.
 EMI SHIELD - BRIGHT NICKEL OVER COPPER PLATED DIE COATING.
 TERMINALS - HIGH STRENGTH COPPER ALLOY PLATED WITH EITHER .000030 MIN GOLD PLATE OR GOLD FLASH OVER PALLADIUM NICKEL PLATE, .000030 MIN TOTAL ON MATING SURFACE, .000120 MIN TIN PLATE ON TAILS, ALL OVER .000050 MIN NICKEL UNDERPLATE OVER ENTIRE TERMINAL.
- 2. THE CONTACT SURFACES OF THE TERMINALS ARE COATED WITH LUBRICANT.
- 3. CENTER-TO-CENTER SPACING OF TERMINALS IS .085.
- 4. ALL DIMENSIONS SHOWN ARE FOR REFERENCE ONLY UNLESS OTHERWISE SPECIFIED.
- △ DETAILS A & B ARE VIEWED FROM MATING SIDE OF RECEPTACLE ASSEMBLY.
- △ TERMINAL 1 LOCATED IN THIS ROW FOR STANDARD ORIENTATION.
- △ TERMINAL 1 LOCATED IN THIS ROW FOR REVERSE ORIENTATION.
- △ SCREWS SHOWN FOR REFERENCE ONLY, RECOMMENDED HARDWARE KIT, 5554272-1, FOR USE WITH PART NUMBER 5553811-3 &-4. HARDWARE KIT IS SHOWN FOR REFERENCE ONLY.
- 9. EMI SHIELD IS ASSEMBLED TO CONNECTOR BEFORE SHIPMENT.
- △ FOR IEEE APPLICATION DIM A SHALL BE .192±.003.
- △ PANEL THICKNESS RANGE: .062 MAX.
- △ STAINLESS STEEL SCREWS RECOMMENDED BECAUSE OF CONTACT WITH SOLDER BATH.
- △ HOLES TO BE TAPPED AFTER PLATING.



APPLICATION	BIM B	DIM A	SHIELD HOLE SIZE	ORIENTATION	DETAIL	PART NUMBER
STANDARD	.157	.126±.003	4-40 UNC-2B	REVERSE	B	5553811-4
STANDARD	.157	.126±.003	4-40 UNC-2B	STANDARD	A	5553811-3
IEEE-488	.157	.152±.003	6-32 UNC-2B	REVERSE	B	5553811-2
IEEE-488	.157	.152±.003	6-32 UNC-2B	STANDARD	A	5553811-1

THIS DRAWING IS A CONTROLLED DOCUMENT.		APPROVED	DATE
DESIGNED BY	DESIGNED	DATE	
DRAWN BY	DRAWN	DATE	
CHECKED BY	CHECKED	DATE	
APPROVED BY	APPROVED	DATE	
DATE	SIZE	DATE	DATE
	A1	00779	5553811
CUSTOMER DRAWING		DATE	DATE
	2:1	1	1