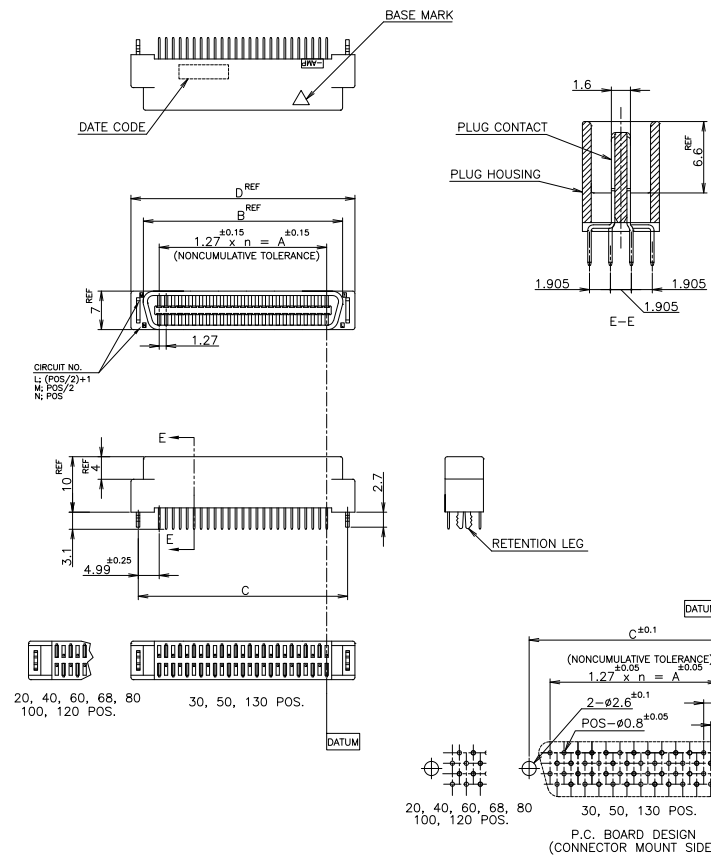


THIS DRAWING IS UNPUBLISHED. RELEASED FOR PUBLICATION OCT. 1988.
 © COPYRIGHT 1988 BY TYCO ELECTRONICS CORPORATION. ALL RIGHTS RESERVED.

LOC		DIST		REVISIONS			
F	LR	DESCRIPTION	DATE	BY	APPD		
A		REVISED ECR-08-014638	10JUN08	AZ	SY		

1 NUMBER "n" S COUNTED FROM DATUM
 (CIRCUIT NO.1 IS "AMP" MARK SIDE.)
 MATERIAL: HOUSING; 66 NYLON (GF) UL 94V-0, BLACK.
 CONTACT; PHOSPHOR BRONZE.
 RETENTION LEG; BRASS.
 FINISH: CONTACT; Au AT CONTACT AREA (SEE TABLE),
 TIN AT TINE OVER NI.
 RETENTION LEG; TIN UNDER NI.

6-	-2		130	64	81.28	89.62	91.25	93.90
6-	-1		120	59	74.93	83.27	84.90	87.55
6-	-0		100	49	62.23	70.57	72.20	74.85
5-	-9		80	39	49.53	57.87	59.50	62.15
5-	-8		68	33	41.91	50.25	51.88	54.53
5-	-7		60	29	36.83	45.17	46.80	49.45
5-	-6		50	24	30.48	38.82	40.45	43.10
5-	-5		40	19	24.13	32.47	34.10	36.75
5-	-3		30	14	17.78	26.12	27.75	30.40
5-	-1	0.00076	20	9	11.43	19.77	21.40	24.05
4-	-2		130	64	81.28	89.62	91.25	93.90
4-	-1		120	59	74.93	83.27	84.90	87.55
4-	-0		100	49	62.23	70.57	72.20	74.85
3-	-9		80	39	49.53	57.87	59.50	62.15
3-	-8		68	33	41.91	50.25	51.88	54.53
3-	-7		60	29	36.83	45.17	46.80	49.45
3-	-6		50	24	30.48	38.82	40.45	43.10
3-	-5		40	19	24.13	32.47	34.10	36.75
3-	-3		30	14	17.78	26.12	27.75	30.40
3-	-1	0.0005	20	9	11.43	19.77	21.40	24.05
1-	-2		130	64	81.28	89.62	91.25	93.90
1-	-1		120	59	74.93	83.27	84.90	87.55
1-	-0		100	49	62.23	70.57	72.20	74.85
	-9		80	39	49.53	57.87	59.50	62.15
	-8		68	33	41.91	50.25	51.88	54.53
	-7		60	29	36.83	45.17	46.80	49.45
	-6		50	24	30.48	38.82	40.45	43.10
	-5		40	19	24.13	32.47	34.10	36.75
	-3		30	14	17.78	26.12	27.75	30.40
5175473-1		0.0002	20	9	11.43	19.77	21.40	24.05



CIRCUIT NO.
 L: (POS/2)+1
 M: POS/2
 N: POS/2

20, 40, 60, 68, 80
 100, 120 POS.

30, 50, 130 POS.
 P.C. BOARD DESIGN
 (CONNECTOR MOUNT SIDE)

LEAD FREE

THIS DRAWING IS A CONTROLLED DOCUMENT. DIM: 19AUG2004, Julyze Zhu, 19AUG2004, Steven Yao, 19AUG2004, Siu, 19AUG2004, Ikuo Enomoto, 19AUG2004, NAME: Tyco Electronics, Tyco Electronics AMP K.K., Kawasaki, Japan.

DIMENSIONS: MM. TOLERANCES UNLESS OTHERWISE SPECIFIED.

Ø	PLC	+	-
1	PLC	+	-
2	PLC	+	-
3	PLC	+	-
4	PLC	+	-
	ANGLES	+	-

PRODUCT SPEC: 108-60038
 APPLICATION SPEC: 108-60038
 WEIGHT: A2
 CUSTOMER DRAWING: 00779 ©-5175473

AMP CHAMP .050 CONNECTOR (B-T-B)
 PLUG CONNECTOR
 (VERTICAL WITH RETENTION LEG)

SIZE: A2
 CASE CODE: 00779 ©-5175473
 RESTRICTED TO: A

SCALE: NTS
 SHEET: 1 OF 1
 REV: A