

4

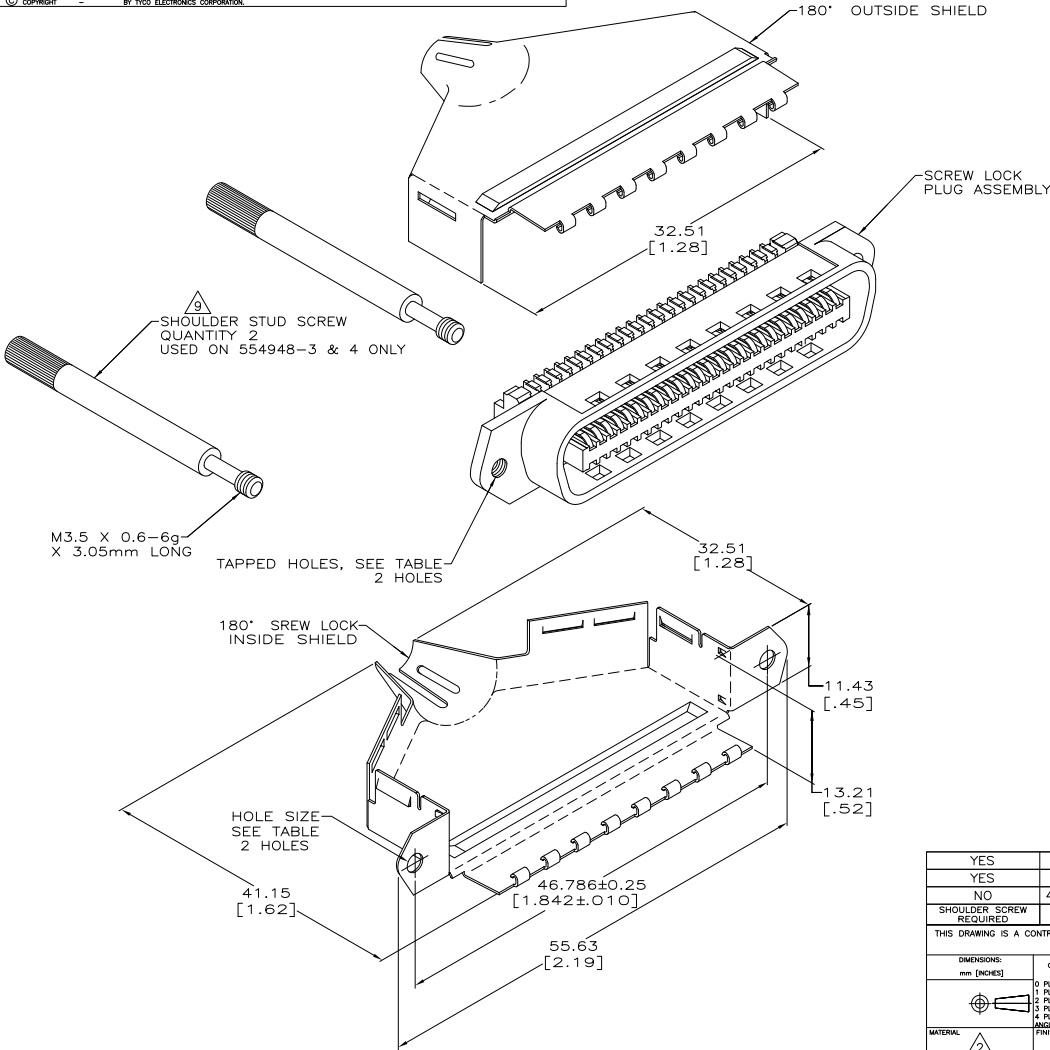
3

2

1

THIS DRAWING IS UNPUBLISHED. RELEASED FOR PUBLICATION.
 © COPYRIGHT BY TYCO ELECTRONICS CORPORATION. ALL RIGHTS RESERVED.

| LOC | DIST | REVISIONS | | | | | |
|-----|------|-----------|-----|---------------------------|---------|----|------|
| GP | 00 | F | LNK | DESCRIPTION | DATE | BY | APPD |
| | | E | | REVISED PER ECO-08-007327 | 05SEP08 | BM | WM |



1. THIS KIT SHIPPED NOT ASSEMBLED.

▲ MATERIAL: SHIELDS - BRIGHT NICKEL PLATED CARBON STEEL.
 PLUG HOUSING - POLYPHENYLENE OXIDE, UL94V1 RATED, BLACK.
 TERMINAL - HIGH STRENGTH COPPER ALLOY PLATED WITH 0.76μm [.000030] MIN GOLD OR GOLD FLASH OVER PALLADIUM NICKEL PLATE, 0.76μm [.000030] MIN TOTAL ON MATING SURFACE, 1.27μm [.000050] MIN NICKEL UNDERPLATE OVER ENTIRE TERMINAL.

▲ WIRE SIZE: 26-27-28 AWG 7 STRANDS OF COPPER CONDUCTORS. MAXIMUM INSULATION DIAMETER OF 1.14 [.045] IS ACCEPTABLE FOR MOST APPLICATIONS.

4. CABLE RANGE: Ø.250-.500.

5. CENTER-TO-CENTER SPACING OF TERMINALS 2.16 [.085] NOMINAL.

▲ WIRE SIZE: 24 OR 26 AWG SOLID OR 24 AWG 7 STRANDS OF COPPER CONDUCTORS. MAXIMUM INSULATION DIAMETER OF 1.14 [.045] IS ACCEPTABLE FOR MOST APPLICATIONS.

▲ DIMENSIONS ARE MAXIMUM UNLESS OTHERWISE SPECIFIED.

▲ PACKAGED 1 KIT PER POLYBAG.

▲ SHOULDER STUD SCREWS USED ON -3 & -4 ASSEMBLY ONLY.

| | | | | | | |
|--|-------------|------------------------|--|-----------|-----------|-------------|
| YES | ▲ | 3.18-3.43 [1.25-.135] | ▲ | B | ▲ | 554948-4 |
| YES | ▲ | 3.18-3.43 [1.25-.135] | ▲ | E | ▲ | 554948-3 |
| NO | 4-40 UNC-2B | 3.18-3.43 [1.25-.135] | ▲ | B | ▲ | 554948-2 |
| SHOULDER SCREW REQUIRED | TAPPED | HOLE SIZE DIAMETER | PACKAGED | SLOT SIZE | WIRE SIZE | PART NUMBER |
| THIS DRAWING IS A CONTROLLED DOCUMENT. | | DMC MILLMASTER 177E805 | Tyco Electronics Corporation | | | |
| DIMENSIONS: mm [INCHES] | | DMC MILLMASTER 177E805 | Harrisburg, PA 17105-3608 | | | |
| TOLERANCES UNLESS OTHERWISE SPECIFIED: | | DMC MILLMASTER 177E805 | Tyco Electronics Corporation | | | |
| 0 PLC | | DMC MILLMASTER 177E805 | PLUG KIT, 24 POSITION, SCREW LOCK, WITH 4-40 HOLES, SHIELDED CHAMP | | | |
| 1 PLC | | DMC MILLMASTER 177E805 | RESTRICTED TO | | | |
| 2 PLC | | DMC MILLMASTER 177E805 | CUSTOMER DRAWING | | | |
| 3 PLC | | DMC MILLMASTER 177E805 | SCALE 2:1 SHEET 1 of 1 REV E | | | |
| 4 PLC | | DMC MILLMASTER 177E805 | | | | |
| ANGLES | | DMC MILLMASTER 177E805 | | | | |
| FINISH | | DMC MILLMASTER 177E805 | | | | |

AMP 1471-9 REV 31MM2000

554948

A