

4

3

2

1

THIS DRAWING IS UNPUBLISHED. RELEASED FOR PUBLICATION.
 © COPYRIGHT BY TYCO ELECTRONICS CORPORATION. ALL RIGHTS RESERVED.

LOC	DIST	REVISIONS				
GP	00	F LWR	DESCRIPTION	DATE	BY	APP'D
		F	REVISED PER ECO-08-007327	05SEP08	BM	WM
		F1	REV PER ECO-09-021510	12SEP09	KK	AEG

1. THIS KIT SHIPPED NOT ASSEMBLED.

⚠ MATERIAL: SHIELDS - BRIGHT NICKEL PLATED CARBON STEEL.
 PLUG HOUSING - POLYPHENYLENE OXIDE, SEE TABLE FOR COLOR.
 TERMINAL - HIGH STRENGTH COPPER ALLOY PLATED WITH 0.76 μ m [.000030] MIN GOLD OR GOLD FLASH OVER PALLADIUM NICKEL PLATE, 0.76 μ m [.000030] MIN TOTAL ON MATING SURFACE. 1.27 μ m [.000050] MIN NICKEL UNDERPLATE OVER ENTIRE TERMINAL.

⚠ WIRE SIZE: 24 OR 26 AWG SOLID OR 24 AWG 7 STRANDS OF COPPER CONDUCTORS. MAXIMUM INSULATION DIAMETER OF 1.14 [.045] IS ACCEPTABLE FOR MOST APPLICATIONS.

4. CABLE RANGE: \emptyset 8.89-15.88 [.350-.625].
 5. CENTER-TO-CENTER SPACING OF TERMINALS 2.16 [.085] NOMINAL.

⚠ WIRE SIZE: 26-27-28 AWG 7 STRANDS OF COPPER CONDUCTORS. MAXIMUM INSULATION DIAMETER OF 1.14 [.045] IS ACCEPTABLE FOR MOST APPLICATIONS.

⚠ DIMENSIONS ARE MAXIMUM UNLESS OTHERWISE SPECIFIED.

⚠ PACKAGED 1 KIT PER POLYBAG.

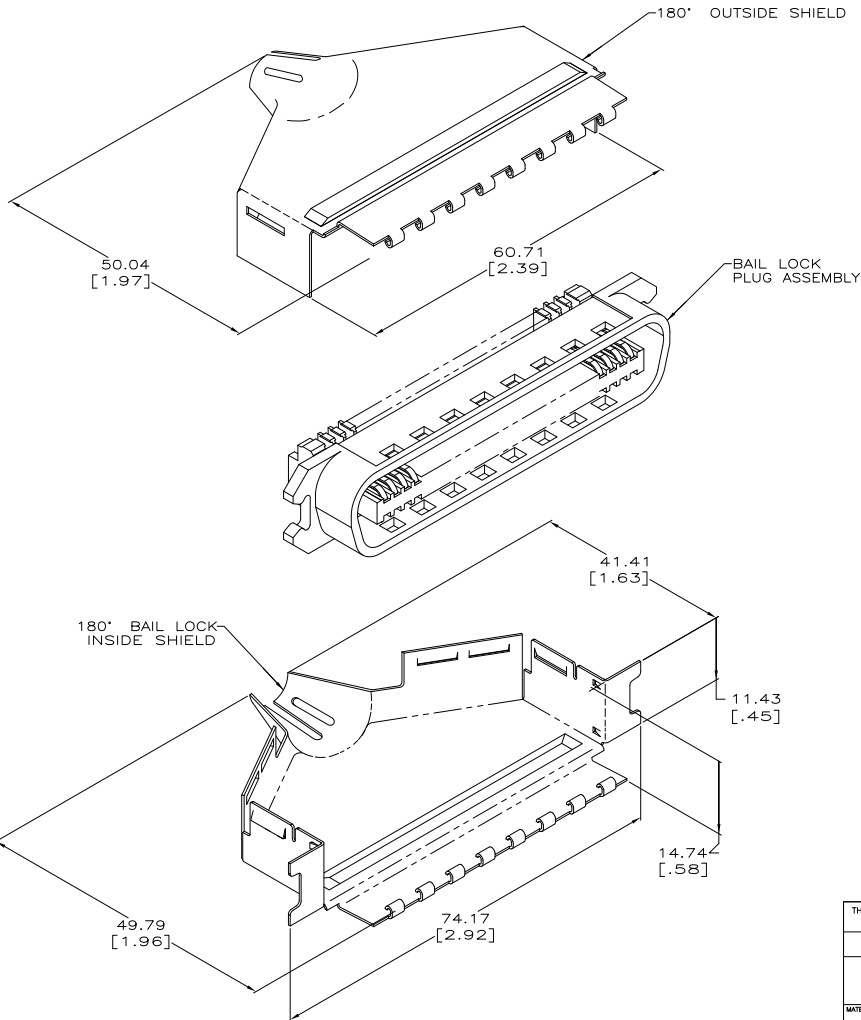
⚠ BULK PACKAGED 500 KITS PER CONTAINER.

⚠ OBSOLETE PARTS: OBSOLETE CIS STREAMLINING PER D.RENAUD/D.SINISI

⚠ OBSOLETE	COMPAQ-GRAY	⚠	E	⚠	5-554953-3
⚠ OBSOLETE	BLACK	⚠	B	⚠	5-554953-2
⚠ OBSOLETE	BLACK	⚠	E	⚠	5-554953-1
	BLACK	⚠	B	⚠	554953-2
	BLACK	⚠	E	⚠	554953-1
	COLOR	⚠		⚠	PART NUMBER

DIMENSIONS		TOLERANCES UNLESS OTHERWISE SPECIFIED		MATERIAL		FINISH	
mm	[INCHES]	FRACTIONS	DECIMALS	PLC	PLC	PLC	PLC
		0 PLC	± .00	⚠	⚠	⚠	⚠
		1 PLC	± .01				
		2 PLC	± .02				
		3 PLC	± .03				
		4 PLC	± .04				
		ANGLES	± .05				

THIS DRAWING IS A CONTROLLED DOCUMENT.		DATE		BY		APP'D	
DRW	CHK	DATE	DATE	NAME	NAME	DATE	DATE
L. SMITH	D. HUSSEY	3-24-95	4-04-95				
Tyco Electronics Corporation		Tyco Electronics Corporation		Tyco Electronics Corporation		Tyco Electronics Corporation	
Harrisburg, PA 17105-3608		Harrisburg, PA 17105-3608		Harrisburg, PA 17105-3608		Harrisburg, PA 17105-3608	
PLUG KIT, 50 POSITION, BAIL LOCK, SHIELDED CHAMP				PLUG KIT, 50 POSITION, BAIL LOCK, SHIELDED CHAMP			
APPLICATION SPEC:	SIZE	CAGE CODE	DRAWING NO.	RESTRICTED TO			
—	A2	00779	C=554953	—		—	
WEIGHT	CUSTOMER DRAWING	SCALE	SHEET	1 of 1		REV F1	
—		2:1	1				



AMP 1471-9 REV 31MM0200

554953

A