

4

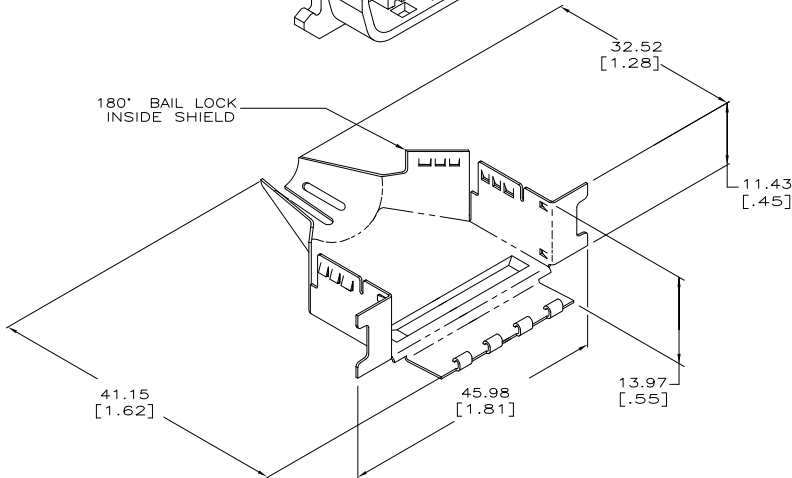
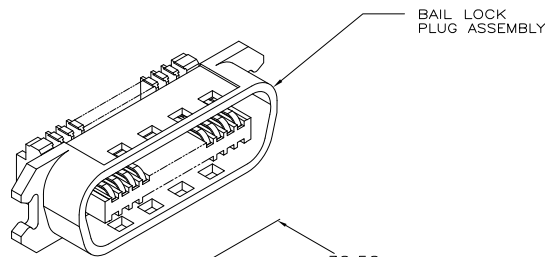
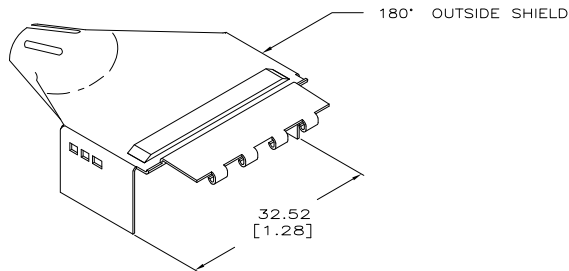
3

2

1

THIS DRAWING IS UNPUBLISHED. RELEASED FOR PUBLICATION
 BY TYCO ELECTRONICS CORPORATION. ALL RIGHTS RESERVED.

LOC	DIST	REVISIONS			
F	LNK	DESCRIPTION	DATE	BY	APPD
GP	00				
	G	REVISED PER ECO-08-007327	05SEP08	BM	WM



- THIS KIT SHIPPED NOT ASSEMBLED.
- MATERIAL: SHIELDS - BRIGHT NICKEL PLATED CARBON STEEL.
 - PLUG HOUSING - POLYPHENYLENE OXIDE, BLACK.
 - TERMINAL - HIGH STRENGTH COPPER ALLOY PLATED WITH 0.76µm [.000030] MIN GOLD OR GOLD FLASH OVER PALLADIUM NICKEL PLATE, 0.76µm [.000030] MIN TOTAL ON MATING SURFACE. 1.27µm [.000050] MIN NICKEL UNDERPLATE OVER ENTIRE TERMINAL.
- WIRE SIZE: 24 OR 26 AWG SOLID OR 24 AWG STRANDED COPPER CONDUCTORS. MAXIMUM INSULATION DIAMETER OF 1.14 [.045] IS ACCEPTABLE FOR MOST APPLICATIONS.
- CABLE RANGE: Ø6.35-12.7 [.250-.500].
- CENTER-TO-CENTER SPACING OF TERMINALS 2.16 [.085] NOMINAL.
- WIRE SIZE: 26-27-28 AWG STRANDED COPPER CONDUCTORS. MAXIMUM INSULATION DIAMETER OF 1.14 [.045] IS ACCEPTABLE FOR MOST APPLICATIONS.
- DIMENSIONS ARE MAXIMUM UNLESS OTHERWISE SPECIFIED.
- OBSOLETE

POLY-BAG	B	554947-2
	E	554947-1
PACKAGED	SLOT SIZE	WIRE SIZE
		PART NUMBER

THIS DRAWING IS A CONTROLLED DOCUMENT.		DRN	J. POLIGNONE	10MAR08	
DIMENSIONS:		CHK.	W.	MILLIMETERS	10MAR08
mm [INCHES]		APD	W.	MILLIMETERS	
TOLERANCES UNLESS OTHERWISE SPECIFIED:		NAME			
0 PLG	± .005	Tyco Electronics Corporation			
1 PLG	± .005	Harrisburg, PA 17105-3608			
2 PLG	± .005	PLUG KIT, 24 POSITION,			
3 PLG	± .005	BAIL LOCK, SHIELDED, CHAMP LOK			
4 PLG	± .005	APPLICATION SPEC:			
ANGLES	± .005	SIZE CASE CODE DRAWING NO			
FINISH		A2 00779 C=554947			
MATERIAL		RESTRICTED TO			
		CUSTOMER DRAWING			
		SCALE 2:1 SHEET 1 of 1 REV G			

AMP 1471-9 REV 31MAR2000

554947

A