

4

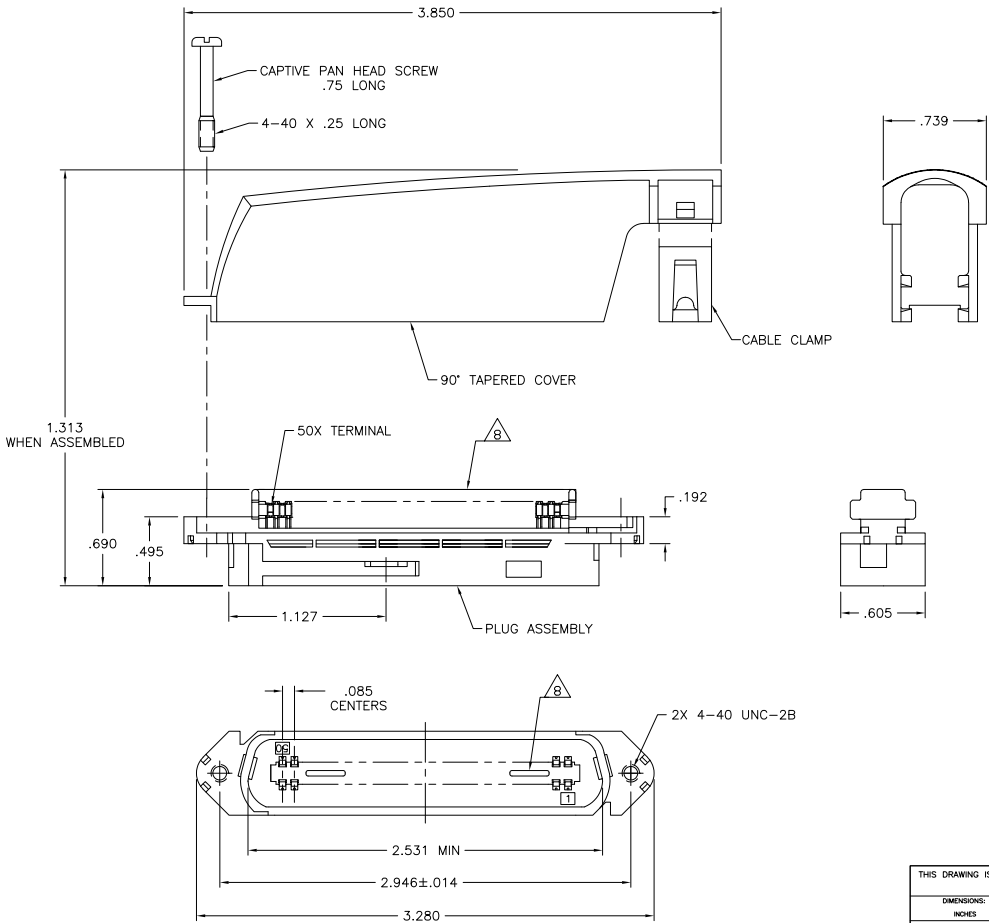
3

2

1

THIS DRAWING IS UNPUBLISHED. RELEASED FOR PUBLICATION  
 © COPYRIGHT BY TYCO ELECTRONICS CORPORATION. ALL RIGHTS RESERVED.

LOC	DIST	REVISIONS		
P	LTR	DESCRIPTION	DATE	BY
GP	00			
B		REVISED PER ECO-08-007327	02OCT08	BM WM



1. THE CONTACT SURFACES OF THE TERMINALS ARE COATED WITH LUBRICANT.
2. MATERIAL:  
HOUSING, COVER, AND CABLE CLAMP: THERMOPLASTIC.  
TERMINALS: PHOS BRONZE  
HARDWARE: STEEL.
3. FINISH:  
TERMINALS: .000030 MIN GOLD OR GOLD FLASH OVER  
PALLADIUM NICKEL PLATE .000030 MIN TOTAL ON  
MATING SURFACE; OVER .000050 MIN NICKEL UNDERPLATE.  
HARDWARE: ZINC PLATED.
4. THIS KIT SHIPPED UNASSEMBLED.
5. WIRE SIZE: 22 AWG SOLID OR 22 AWG, 7 STRANDS OF  
COPPER CONDUCTORS. MAXIMUM INSULATION DIAMETER OF .045  
IS ACCEPTABLE FOR MOST APPLICATIONS.
6. ALL DIMENSIONS SHOWN ARE MAXIMUM UNLESS OTHERWISE  
SPECIFIED.
7. KIT SHIPPED IN POLY BAG FORM.
8. CORING MAY OR MAY NOT APPEAR AND IS AT THE DISCRETION  
OF AMP.

.550	BLACK	5552382-1
.500		
CABLE RANGE	COLOR	PART NUMBER

THIS DRAWING IS A CONTROLLED DOCUMENT.		BY: S. MCMASTER	30SEP08	Tyco Electronics Corporation	
DIMENSIONS:		CHK: W. MILLHIMES	30SEP08	Harrisburg, PA 17105-3608	
OTHER DIMENSIONS:		APP: W. MILLHIMES	30SEP08	Tyco Electronics	
INCHES		PRODUCT SPEC:		PLUG KIT, 50 POSITION, C-SLOT, SCREW LOCK WITH TAPERED COVER, CHAMP-LOK	
0 PLC		APPLICATION SPEC:		SIZE	CAGE CODE
1 PLC		WEIGHT		A2	00779
2 PLC				C-	5552382
3 PLC					
4 PLC					
ANGLES					
MATERIAL					
FINISH					
CUSTOMER DRAWING				SCALE	2:1
				SHEET	1 of 1
				REV	B

AMP 1471-9 REV 31MM0200

5552382

A