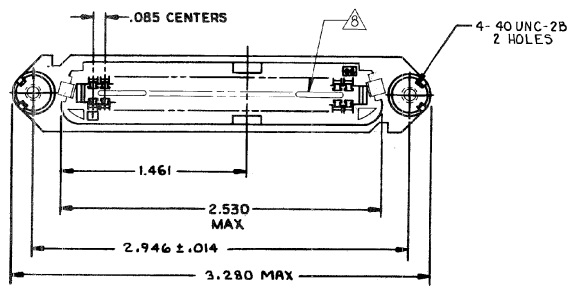
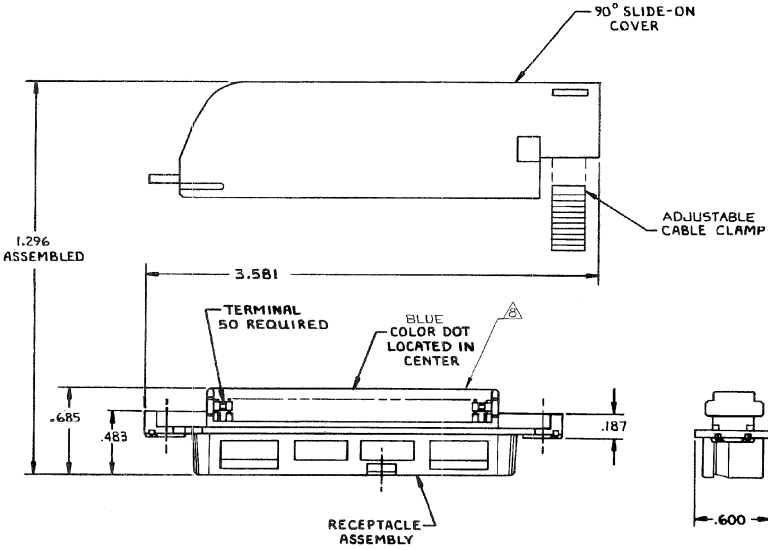


THIS DRAWING IS UNPUBLISHED. RELEASED FOR PUBLICATION
 © COPYRIGHT BY TYCO ELECTRONICS CORPORATION. ALL RIGHTS RESERVED.

LOC		DIST		REVISIONS			
P	LN	REVISED PER	DATE	BY	APP'D		
GP	00						
	H	REVISED PER EDO-08-007327	27JAN2009	ZMR	WLM		



1. THE CONTACT SURFACES OF THE TERMINALS ARE COATED WITH LUBRICANT.
 2. ALL DIMENSIONS ARE REFERENCE ONLY UNLESS OTHERWISE SPECIFIED.
- △ MATERIAL:
 HOUSING, COVER AND CABLE CLAMP - THERMOPLASTIC (BLACK)
 TERMINALS - HIGH STRENGTH COPPER ALLOY FLASHED WITH EITHER .000030 MIN GOLD OR GOLD FLASH OVER PALLADIUM NICKEL PLATE .000030 MIN TOTAL, ON MATING SURFACE. .000050 MIN NICKEL UNDERPLATE OVER ENTIRE TERMINAL.
4. COVER AND CABLE CLAMP SHIPPED UNASSEMBLED.
 5. WIRE SIZE: 24 & 26 AWG SOLID OR 24 AWG 7 STRANDS OF COPPER CONDUCTOR. MAX INSULATION DIA OF .045 IS ACCEPTABLE FOR MOST APPLICATIONS.
 6. CABLE RANGE: .425 MAX DIA
 7. KIT SHIPPED IN POLYBAG FORM.
- △ CORING MAY OR MAY NOT APPEAR AND IS AT THE DISCRETION OF TYCO ELECTRONICS.

AS SHOWN	553912-1
DESCRIPTION	PART NO

THIS DRAWING IS A CONTROLLED DOCUMENT.		DATE	BY	APPROVED	TYCO ELECTRONICS CORPORATION
DRAWN BY: J.A. HOLT		9-13-82			Harrisburg, PA 17105-3608
CHECKED BY: M.D. FRIEL		9-14-82			
DESIGNED BY: J.C.F. MORGA		9-15-82			
TITLE: KIT, RECEPTACLE 50 POSITION, B SLOT CHAMP-LOK THIN FLANGE		SIZE	QTY CODE	DRAWING NO	RESTRICTED TO
MATERIAL: 3		A2	00779	553912	
FINISH: 3		CUSTOMER DRAWING	SCALE	NTS	SHEET 1 of 1 REV H

AMP 1471-9 REV 31MAR2000

553912