

4

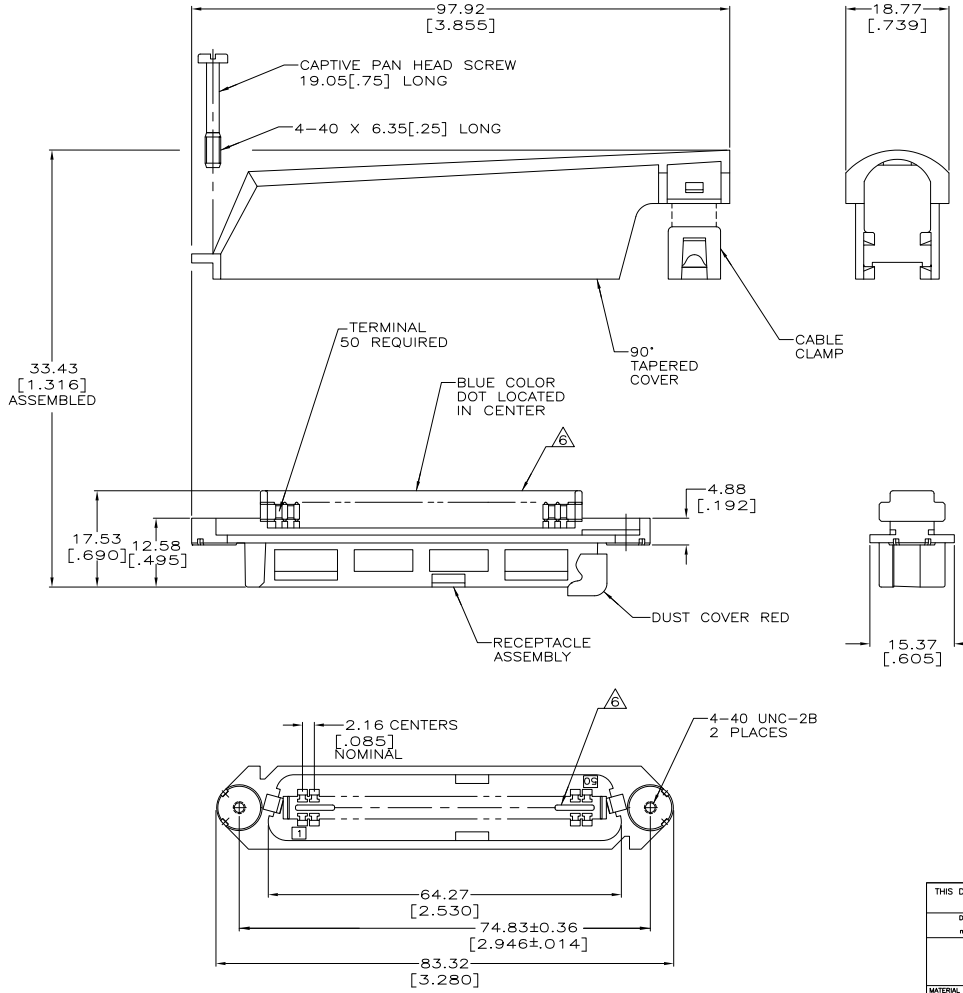
3

2

1

THIS DRAWING IS UNPUBLISHED. RELEASED FOR PUBLICATION. ALL RIGHTS RESERVED.

LOC	DIST	REVISIONS		
F	LNK	DESCRIPTION	DATE	BY
GP	00	REVISED PER ECO-11-004835	11MAR11	RK HMR



- THE CONTACT SURFACES OF THE TERMINALS ARE COATED WITH LUBRICANT.
- DIMENSIONS ARE MAXIMUM UNLESS OTHERWISE SPECIFIED.
- MATERIAL: HOUSING AND COVER - POLYPHENYLENE OXIDE.
CABLE CLAMP - POLYESTER MOLDING COMPOUND.
TERMINAL - HIGH STRENGTH COPPER ALLOY PLATED WITH 0.76μm [.000030] MIN GOLD OR GOLD FLASH OVER PALLADIUM NICKEL PLATE, 0.76μm [.000030] MIN TOTAL ON MATING SURFACE, OVER 1.27μm [.000050] MIN NICKEL PLATING.
HARDWARE - ZINC PLATED STEEL.
DUST COVER - POLYETHYLENE MOLDING COMPOUND.
- THIS KIT SHIPPED NOT ASSEMBLED.
- WIRE SIZE: 24 & 26 AWG SOLID & 24 AWG STRAND COPPER CONDUCTORS. MAXIMUM INSULATION DIAMETER OF 1.15[.045] IS ACCEPTABLE FOR MOST APPLICATIONS.
- CORING MAY OR MAY NOT APPEAR AND IS AT THE DISCRETION OF AMP INCORPORATED.
- OBSELETE

BULK PACKED	Ø7.62-8.26 [Ø.300-.325]	YES	BLACK	△	6-229913-7
			YES	GRAY	△
POLY BAGGED	Ø8.89-10.80 [Ø.350-.425]	YES	BLACK	△	6-229913-3
		NO	BLACK	△	6-229913-1
	Ø10.80-12.70 [Ø.425-.500]	YES	BLACK	△	3-229913-1
		NO	BLACK	△	2-229913-1
PACKAGING		YES	GRAY	△	1-229913-4
		NO	BLACK	△	229913-4
		NO	BLACK	△	229913-1
	CABLE RANGE	DUST COVER	COLOR	PART NUMBER	

THIS DRAWING IS A CONTROLLED DOCUMENT.

DATE: 30 AUG 93
 CHK: L. McEACHIN/UTA
 C: C. WHITT
 DATE: 15 NOV 93
 NAME: J. TRAMMEL

TE Connectivity

RECEPTACLE KIT, 50 POSITION, B-SLOT, SCREW LOCK, TAPERED COVER, CHAMP-LOK®

SIZE: A2
 CASE CODE: 00779
 DRAWING NO: C-229913

MATERIAL: FINISH

RESTRICTED TO: -

CUSTOMER DRAWING

SCALE: 2:1
 SHEET: 1 of 1
 REV: AL1