

4

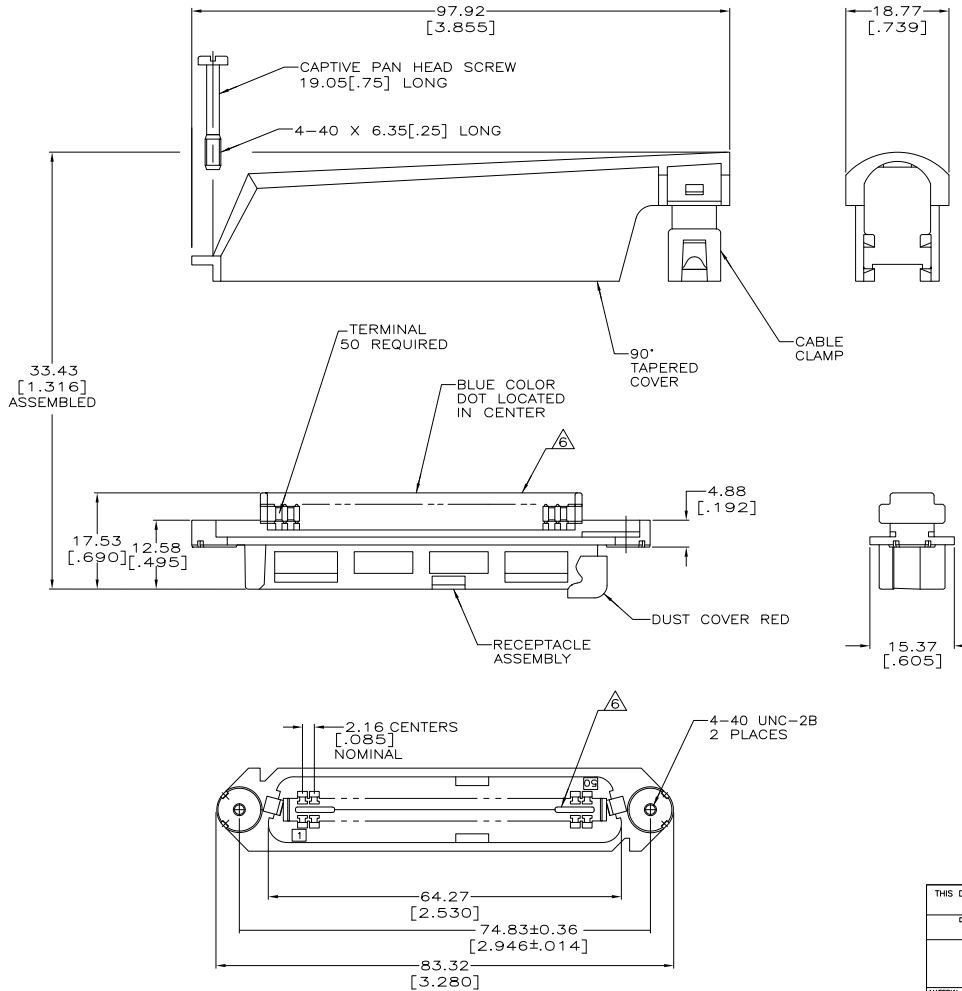
3

2

1

THIS DRAWING IS UNPUBLISHED. RELEASED FOR PUBLICATION. ALL RIGHTS RESERVED. © COPYRIGHT 2009. By -

LOC	DIST	REVISIONS			
F	LNK	DESCRIPTION	DATE	BY	APPD
GP	00	B2	REVISED PER ECO-11-004835	11MAR11	RIK HMR



- THE CONTACT SURFACES OF THE TERMINALS ARE COATED WITH LUBRICANT.
- DIMENSIONS ARE MAXIMUM UNLESS OTHERWISE SPECIFIED.
- MATERIAL: HOUSING AND COVER - POLYPHENYLENE OXIDE.  
CABLE CLAMP - POLYESTER MOLDING COMPOUND.  
TERMINAL - HIGH STRENGTH COPPER ALLOY PLATED WITH  $0.76\mu\text{m}$  [.000030] MIN GOLD OR GOLD FLASH OVER PALLADIUM NICKEL PLATE,  $0.76\mu\text{m}$  [.000030] MIN TOTAL ON MATING SURFACE, OVER  $1.27\mu\text{m}$  [.000050] MIN NICKEL UNDERPLATE.  
HARDWARE - ZINC PLATED STEEL.  
DUST COVER - POLYETHYLENE MOLDING COMPOUND.
- THIS KIT SHIPPED NOT ASSEMBLED.
- WIRE SIZE: 24 & 26 AWG SOLID & 24 AWG STRAND COPPER CONDUCTORS. MAXIMUM INSULATION DIAMETER OF 1.15 [.045] IS ACCEPTABLE FOR MOST APPLICATIONS.
- CORING MAY OR MAY NOT APPEAR AND IS AT THE DISCRETION OF AMP INCORPORATED.
- OBsolete PARTS: OBSOLETE CIS STREAMLINING PER D.RENAUD/D.SINISI

BULK PACKED	Ø7.62-8.26 [Ø.300-.325]	YES	BLACK	△6-5229913-7
	Ø8.89-10.80 [Ø.350-.425]	YES	GRAY	△6-5229913-4
POLY BAGGED	Ø10.80-12.70 [Ø.425-.500]	YES	BLACK	6-5229913-3
		NO	BLACK	6-5229913-1
		YES	BLACK	3-5229913-1
		NO	BLACK	2-5229913-1
PACKAGING		YES	GRAY	△1-5229913-4
		YES	BLACK	1-5229913-1
		NO	GRAY	5229913-4
		NO	BLACK	5229913-1
	CABLE RANGE	DUST COVER	COLOR	PART NUMBER

DIMENSIONS:		TOLERANCES UNLESS OTHERWISE SPECIFIED:		APPROVED:		TE Connectivity	
mm (inches)				DATE	BY	DATE	BY
Ø	PLC	±	mm	01/08/09	G. PETERS	23SEP09	
1	PLC	±	mm	01/08/09	W. MILLHIMES	23SEP09	
2	PLC	±	mm	01/08/09	M. MALMISLEY	23SEP09	
3	PLC	±	mm				
4	PLC	±	mm				
	ANGLES	±	mm				
	FINISH						

THIS DRAWING IS A CONTROLLED DOCUMENT. CUSTOMER DRAWING

SIZE: A2  
CASE CODE: 00779  
DRAWING NO: C-5229913  
SCALE: 2:1  
SHEET: 1 of 1  
REV: B2

1471-9 (3/11)

5229913

A