

4

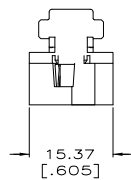
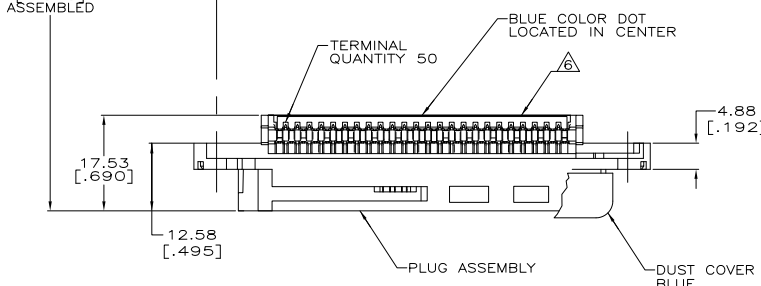
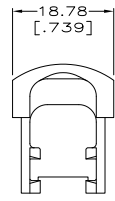
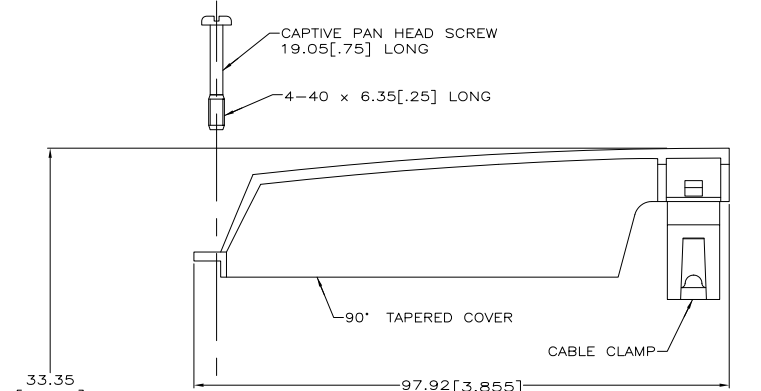
3

2

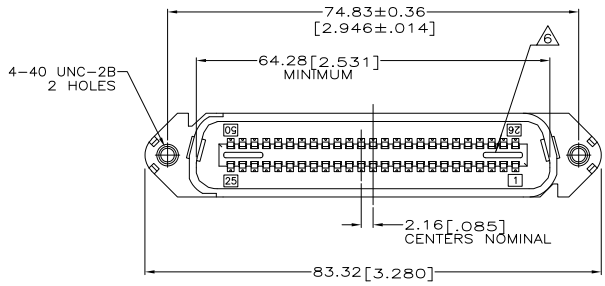
1

THIS DRAWING IS UNPUBLISHED. RELEASED FOR PUBLICATION. ALL RIGHTS RESERVED.

LOC	DIST	REVISIONS					
GP	00	F	LNK	DESCRIPTION	DATE	BY	APPD
		B2		REVISED PER ECO-11-004835	11MAR11	RK	HMR



1. THE CONTACT SURFACES OF THE TERMINALS ARE COATED WITH LUBRICANT.
 2. DIMENSIONS ARE MAXIMUM UNLESS OTHERWISE SPECIFIED.
 3. MATERIAL: HOUSING AND COVER - POLYPHENYLENE OXIDE.
CABLE CLAMP - POLYESTER MOLDING COMPOUND.
TERMINAL - HIGH STRENGTH COPPER ALLOY PLATED WITH 0.76µm [.000030] MIN GOLD OR GOLD FLASH OVER PALLADIUM NICKEL PLATE, 0.76µm [.000030] MIN TOTAL ON MATING SURFACE, OVER 1.27µm [.000050] MIN NICKEL UNDERPLATE.
HARDWARE - ZINC PLATED STEEL.
DUST COVER - POLYETHYLENE MOLDING COMPOUND.
 4. THIS KIT SHIPPED NOT ASSEMBLED.
 5. WIRE SIZE: 24 & 26 AWG SOLID & 24/7 STRAND COPPER CONDUCTORS. MAXIMUM INSULATION DIAMETER OF 1.14 [.045] IS ACCEPTABLE FOR MOST APPLICATIONS.
- ⚠ CORING MAY OR MAY NOT APPEAR AND IS AT THE DISCRETION OF AMP INCORPORATED.
 ⚠ OBSOLETE PARTS: OBSOLETE CIS STREAMLINING PER D.RENAUD/D.SINISI



PACKAGING	CABLE RANGE	DUST COVER	COLOR	PART NUMBER
BULK PACKED	ø7.62-8.26 [ø.300-.325]	YES	BLACK	⚠6-5229912-7
	ø8.89-10.80 [ø.350-.425]	YES	GRAY	6-5229912-4
POLY BAGGED	ø8.89-10.80 [ø.350-.425]	YES	BLACK	6-5229912-3
	ø10.80-12.70 [ø.425-.500]	NO	BLACK	6-5229912-1
	ø8.89-10.80 [ø.350-.425]	YES	BLACK	3-5229912-1
	ø8.89-10.80 [ø.350-.425]	NO	GRAY	2-5229912-1
		NO	BLACK	5229912-1

THIS DRAWING IS A CONTROLLED DOCUMENT.

DIMENSIONS: mm [INCHES]	DESIGNED BY: G. PETERS 23SEP2005	DATE: 23SEP2005	TE Connectivity
TOLERANCES UNLESS OTHERWISE SPECIFIED:	CHK: W. MILLIMES 23SEP05	NAME: M. MALINSLEY 23SEP05	PLUG KIT, 50 POSITION, B-SLOT SCREW LOCK WITH TAPERED COVER, CHAMP-LOK
0 PLC ± .1	1 PLC ± .05	2 PLC ± .02	3 PLC ± .01
4 PLC ± .005	ANGLES ± .5	FINISH	RESTRICTED TO
MATERIAL	FINISH	APPLICATION SPEC	SIZE: A2
		WEIGHT	ONE CODE: 00779
			DRAWING NO: C-5229912
			SCALE: 2:1
			SHEET: 1 of 1
			REV: B2