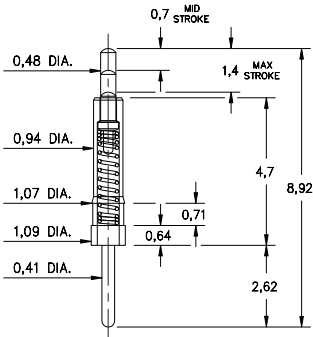
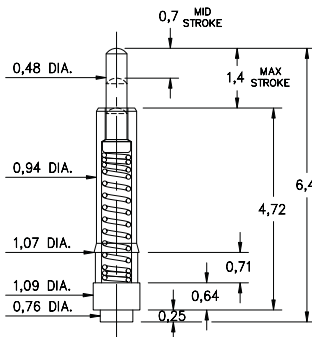


0950



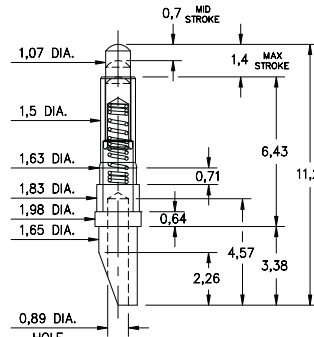
0950-0-15-20-71-14-11-0
Standard Stroke
Solder Mount in 0,46 min. mounting hole

0951



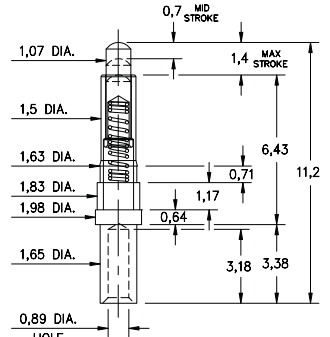
0951-0-15-20-71-14-11-0
Standard Stroke, Surface mount
High profile

0933



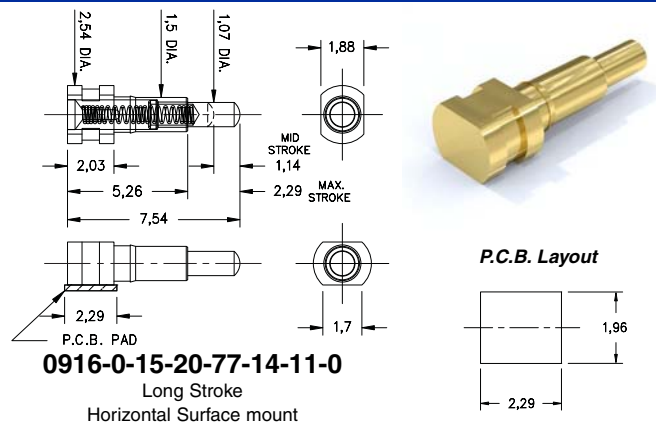
0933-0-15-20-75-14-11-0
Standard Stroke, SolderCup
For Wire Termination

0962



0962-0-15-20-75-14-11-0
Standard Stroke, Crimp Barrel
For Wire Termination

0916



--	--	--	--

ORDER CODE: 09XX - X - 15 - 20 - 7X - 14 - 11 - 0
Spring Number

MATERIAL SPECIFICATIONS:
SLEEVE & PLUNGER MATERIAL: Copper Alloy
SPRING MATERIAL: Beryllium Copper
SLEEVE & PLUNGER FINISH: 0,51 µm Gold over Nickel
SPRING FINISH: 0,25 µm Gold over Nickel
DIMENSION IN INCHES:
TOLERANCES ON: LENGTHS: ±0,15
DIAMETERS: ±0,05
ANGLES: ± 2°



MECHANICAL & ELECTRICAL SPECIFICATIONS:
DURABILITY: 1,000,000 cycles
CURRENT RATING: 2A continuous, 3A peak
CONTACT RESISTANCE: 20 mΩ max.

SPRING NUMBER	Mid. STROKE	Max. STROKE	FORCE @ Mid. Stroke	Initial Force (Pre-load)
71	0,7	1,4	50 g	15 g
75	0,7	1,4	60 g	25 g
77	1,14	2,29	60 g	25 g

Springs are not Interchangeable