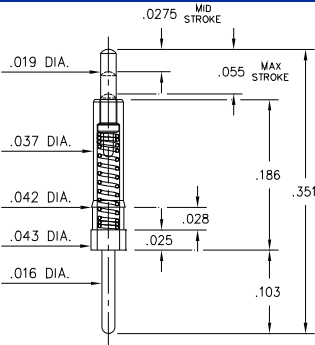
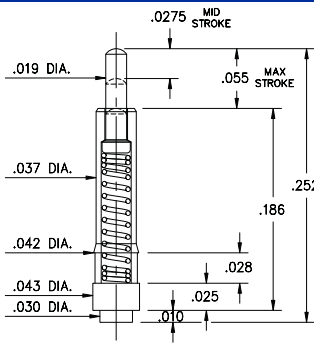


0950



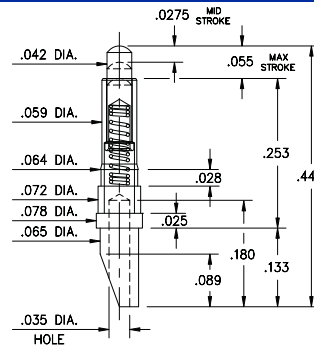
0950-0-15-20-71-14-11-0
Standard Stroke
Solder Mount in .018 min. mounting hole

0951



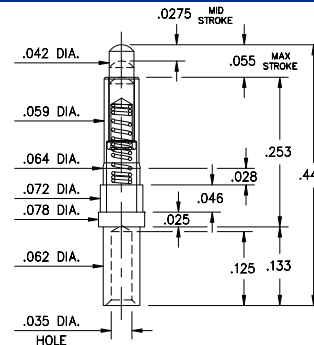
0951-0-15-20-71-14-11-0
Standard Stroke, Surface mount
High profile

0933



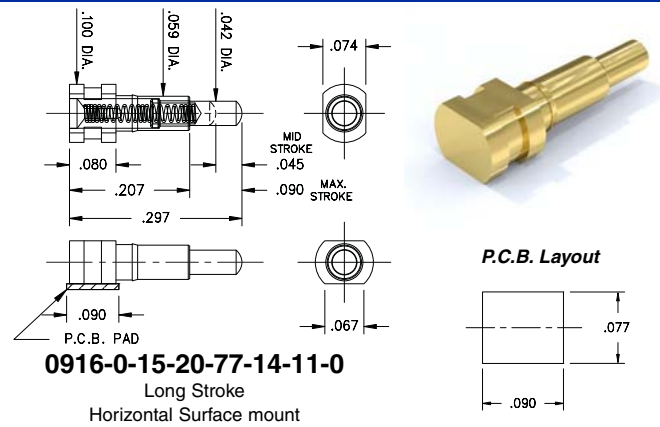
0933-0-15-20-75-14-11-0
Standard Stroke, SolderCup
For Wire Termination

0962



0962-0-15-20-75-14-11-0
Standard Stroke, Crimp Barrel
For Wire Termination

0916



0916-0-15-20-77-14-11-0
Long Stroke
Horizontal Surface mount

| | | | |
|--|--|--|--|
| | | | |
|--|--|--|--|

ORDER CODE: 09XX - X - 15 - 20 - 7X - 14 - 11 - 0
Spring Number

MATERIAL SPECIFICATIONS:

- SLEEVE & PLUNGER MATERIAL:** Copper Alloy
- SPRING MATERIAL:** Beryllium Copper
- SLEEVE & PLUNGER FINISH:** 20 μ" Gold over Nickel
- SPRING FINISH:** 10 μ" Gold over Nickel
- DIMENSION IN INCHES:**
- TOLERANCES ON:** LENGTHS: ±.006
DIAMETERS: ±.002
ANGLES: ± 2°



MECHANICAL & ELECTRICAL SPECIFICATIONS:

- DURABILITY:** 1,000,000 cycles
- CURRENT RATING:** 2A continuous, 3A peak
- CONTACT RESISTANCE:** 20 mΩ max.

| SPRING NUMBER | Mid. STROKE | Max. STROKE | FORCE @ Mid. Stroke | Initial Force (Pre-load) |
|---------------|-------------|-------------|---------------------|--------------------------|
| 71 | .0275 | .055 | 50 g | 15 g |
| 75 | .0275 | .055 | 60 g | 25 g |
| 77 | .045 | .090 | 60 g | 25 g |

Springs are not Interchangeable