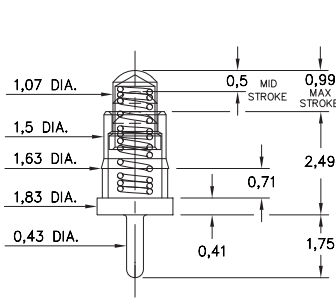


**0906-0**

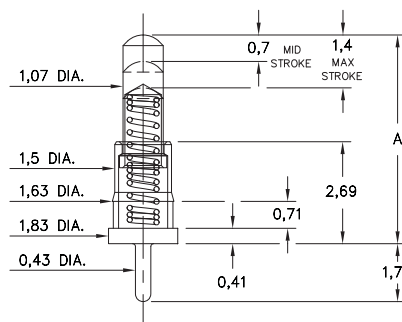


**0906-0-15-20-76-14-11-0**

Short Stroke

Solder mount in 0,46 min. mounting hole

**0906-1⇒4**



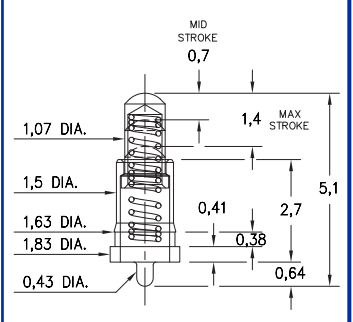
**0906-X-15-20-75-14-11-0**

Standard Stroke

Solder mount in 0,46 min. mounting hole

Basic Part Number	Length A
0906-1	4,5
0906-2	5,0
0906-3	5,51
0906-4	5,99

**0930**

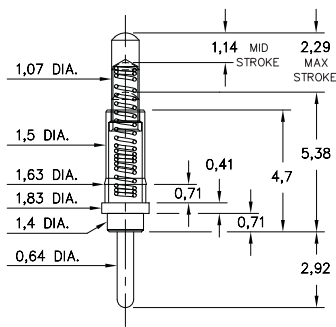


**0930-0-15-20-75-14-11-0**

Standard Stroke

Solder Mount in 0,46 min. mounting hole

**0914**

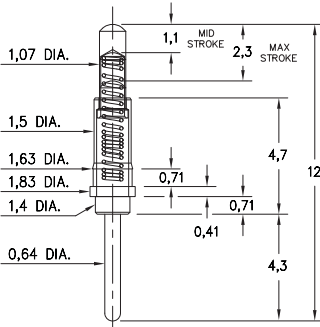


**0914-0-15-20-77-14-11-0**

Long Stroke

Solder mount in 0,69 min. mounting hole

**0932**

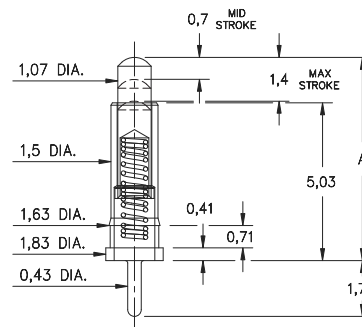


**0932-0-15-20-77-14-11-0**

Long Stroke

Solder Mount in 0,69 min. mounting hole

**0908-0⇒9**



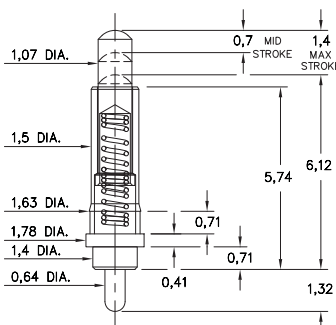
**0908-X-15-20-75-14-11-0**

Standard Stroke

Solder mount in 0,46 min. mounting hole

Basic Part Number	Length A
0908-0	6,48
0908-1	6,99
0908-2	7,49
0908-3	8,0
0908-4	8,51
0908-5	8,89
0908-6	9,4
0908-7	9,91
0908-8	10,41
0908-9	10,92

**0901**

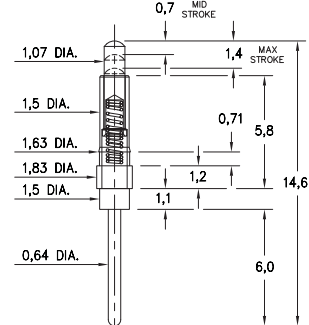


**0901-0-00-00-00-00-11-0**

Standard Stroke

Solder mount in 0,69 min. mounting hole

**0929**

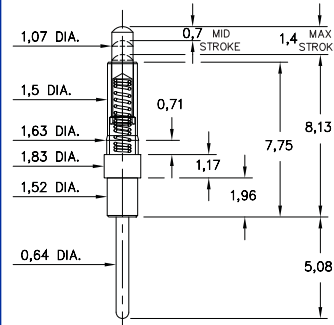


**0929-0-15-20-75-14-11-0**

Standard Stroke

Solder Mount in 0,69 min. mounting Hole

**0922**

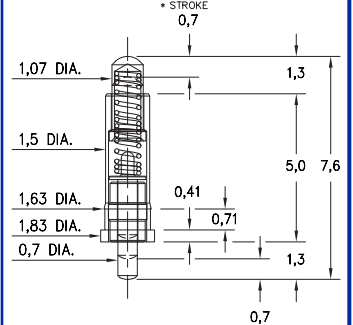


**0922-0-15-20-75-14-11-0**

Standard Stroke

Solder mount in 0,69 min. mounting hole

**0980**



**0980-0-15-20-75-14-11-0**

Double action, \*1,4 Combined Stroke

Mount between parallel circuit boards

**ORDER CODE: 09XX - X - 15 - 20 - 7X - 14 - 11 - 0**

Spring Number ↗

**MATERIAL SPECIFICATIONS:**

- SLEEVE & PLUNGER MATERIAL:** Copper Alloy
- SPRING MATERIAL:** Beryllium Copper
- SLEEVE & PLUNGER FINISH:** 0,51 µm Gold over Nickel
- SPRING FINISH:** 0,25 µm Gold over Nickel
- DIMENSION IN INCHES:**
- TOLERANCES ON:** LENGTHS: ±0,15  
DIAMETERS: ±0,05  
ANGLES: ± 2°



**MECHANICAL & ELECTRICAL SPECIFICATIONS:**

- DURABILITY:** 1,000,000 cycles
- CURRENT RATING:** 2A continuous, 3A peak
- CONTACT RESISTANCE:** 20 mΩ max.

SPRING NUMBER	Mid. STROKE	Max. STROKE	FORCE @ Mid. Stroke	Initial Force (Pre-load)
75	0,7	1,4	60 g	25 g
76	0,5	0,99	60 g	25 g
77	1,14	2,29	60 g	25 g

75, 76, 77 Springs are not Interchangeable