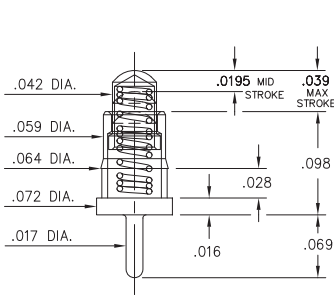


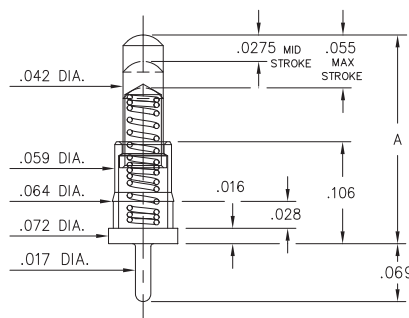
0906-0



0906-0-15-20-76-14-11-0
Short Stroke

Solder mount in .018 min. mounting hole

0906-1⇒4

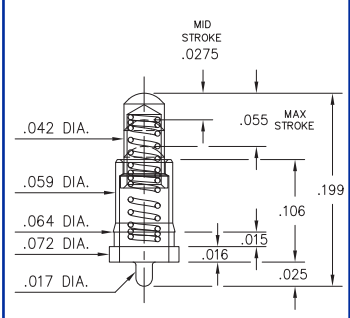


0906-X-15-20-75-14-11-0
Standard Stroke

Solder mount in .018 min. mounting hole

Basic Part Number	Length A
0906-1	.177
0906-2	.197
0906-3	.217
0906-4	.236

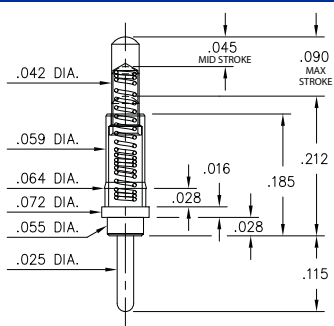
0930



0930-0-15-20-75-14-11-0
Standard Stroke

Solder Mount in .018 min. mounting hole

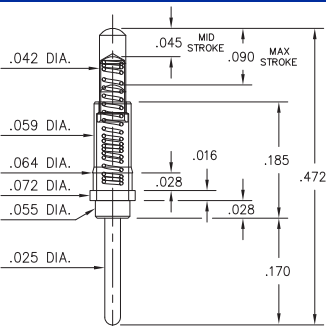
0914



0914-0-15-20-77-14-11-0
Long Stroke

Solder mount in .027 min. mounting hole

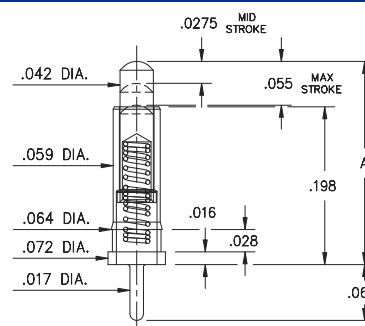
0932



0932-0-15-20-77-14-11-0
Long Stroke

Solder Mount in .027 min. mounting hole

0908-0⇒9

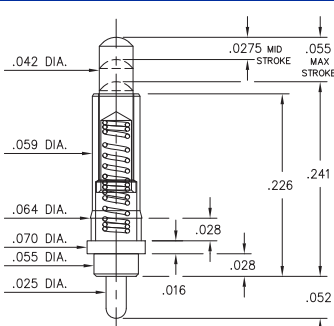


0908-X-15-20-75-14-11-0
Standard Stroke

Solder mount in .018 min. mounting hole

Basic Part Number	Length A
0908-0	.255
0908-1	.275
0908-2	.295
0908-3	.315
0908-4	.335
0908-5	.350
0908-6	.370
0908-7	.390
0908-8	.410
0908-9	.430

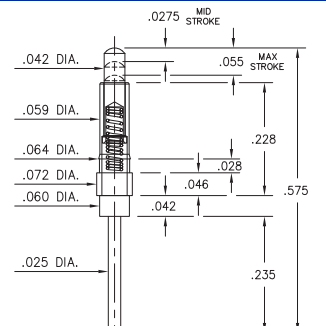
0901



0901-0-00-00-00-00-11-0
Standard Stroke

Solder mount in .027 min. mounting hole

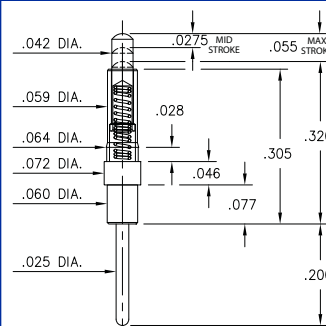
0929



0929-0-15-20-75-14-11-0
Standard Stroke

Solder Mount in .027 min. mounting Hole

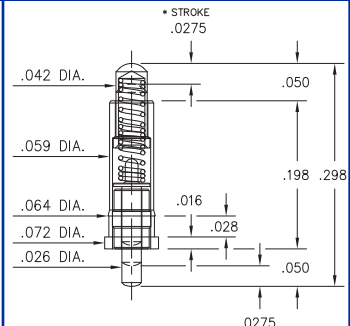
0922



0922-0-15-20-75-14-11-0
Standard Stroke

Solder mount in .027 min. mounting hole

0980



0980-0-15-20-75-14-11-0
Double action, *.055 Combined Stroke

Mount between parallel circuit boards

ORDER CODE: 09XX - X - 15 - 20 - 7X - 14 - 11 - 0

Spring Number ↗

MATERIAL SPECIFICATIONS:

- SLEEVE & PLUNGER MATERIAL:** Copper Alloy
- SPRING MATERIAL:** Beryllium Copper
- SLEEVE & PLUNGER FINISH:** 20 μ" Gold over Nickel
- SPRING FINISH:** 10 μ" Gold over Nickel
- DIMENSION IN INCHES:**
- TOLERANCES ON:** LENGTHS: ±.006
DIAMETERS: ±.002
ANGLES: ± 2°



MECHANICAL & ELECTRICAL SPECIFICATIONS:

- DURABILITY:** 1,000,000 cycles
- CURRENT RATING:** 2A continuous, 3A peak
- CONTACT RESISTANCE:** 20 mΩ max.

SPRING NUMBER	Mid. STROKE	Max. STROKE	FORCE @ Mid. Stroke	Initial Force (Pre-load)
75	.0275	.055	60 g	25 g
76	.0195	.039	60 g	25 g
77	.045	.090	60 g	25 g

75, 76, 77 Springs are not Interchangeable